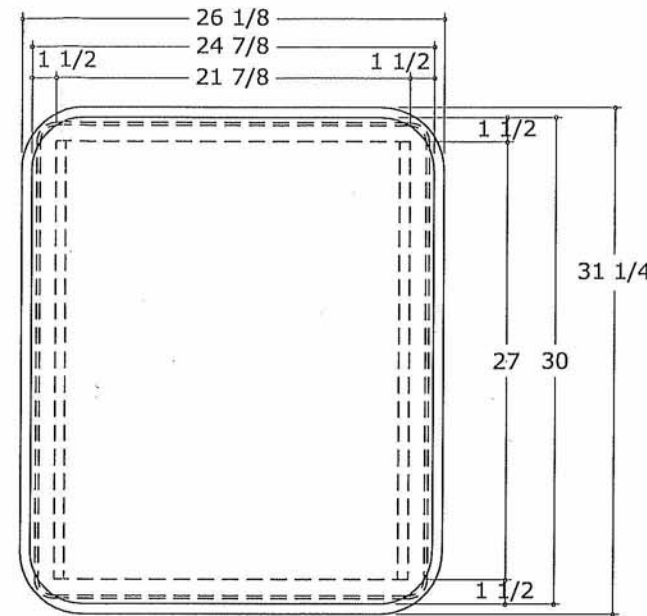
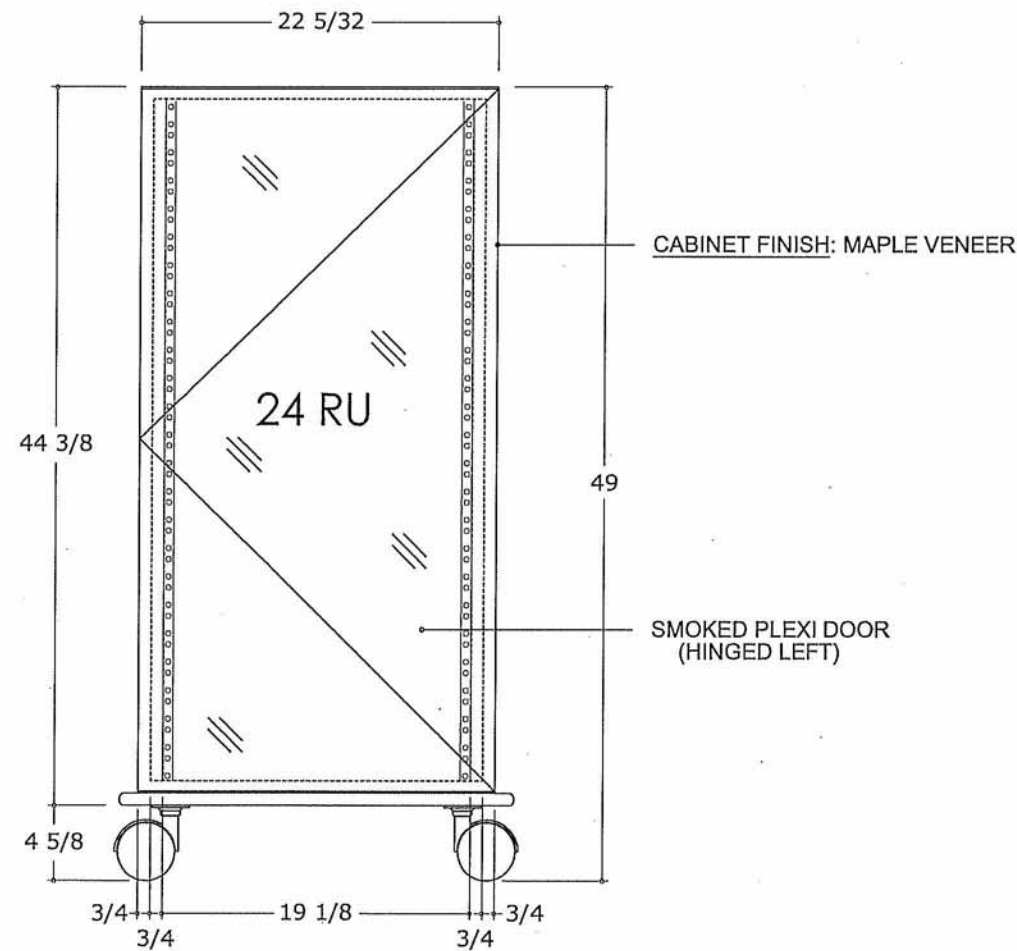


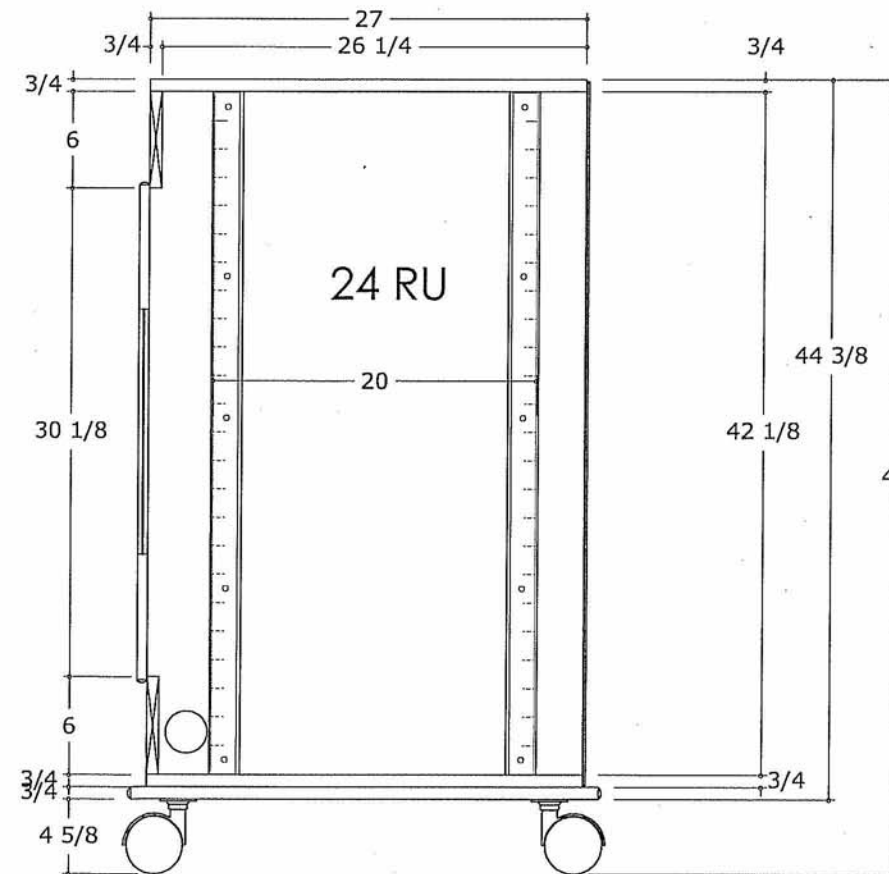
PLAN VIEW



C-TOP LAYOUT
 (1 REQ) 1 1/8" RAW FLAKE
 FINISH: MAPLE VENEER



ELEVATION



SECTION



115 CABOT ST WEST BABYLON, NY 11704
 PHONE: 631-293-4068 FAX: 631-293-4075

Client:

Project:
24 RU CART

Drawing Title:
SHOP DRAWING

Design by: TBC

Drawn by: DG

Date: 7/10/03

Scale: 1"=1'-0"

Rack Rail Type: 10/32

Plan Spec: SEE NOTES

Plan Spec: SEE NOTES

Special Notes:

CLIENT SIGNATURE APPROVES ALL SPECIFICATIONS INDICATED IN THIS DRAWING.

client: _____ date: _____

- DESIGN PROPOSAL DRAWINGS
- CONSTRUCTION DRAWINGS

Revisions:

No.	Description

Filename:

Drawing No: