



Freeform Series

Editing + Graphics Consoles

MAKO 3c

Model: FF-MK.2

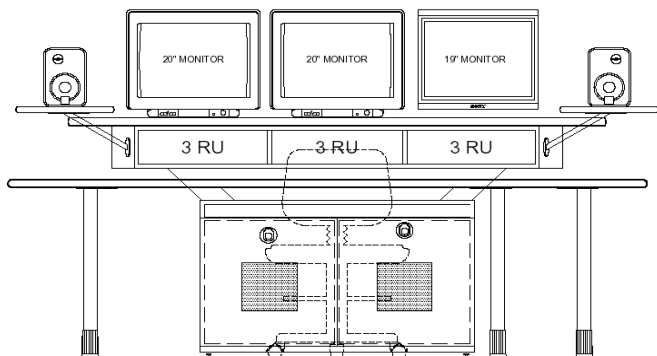
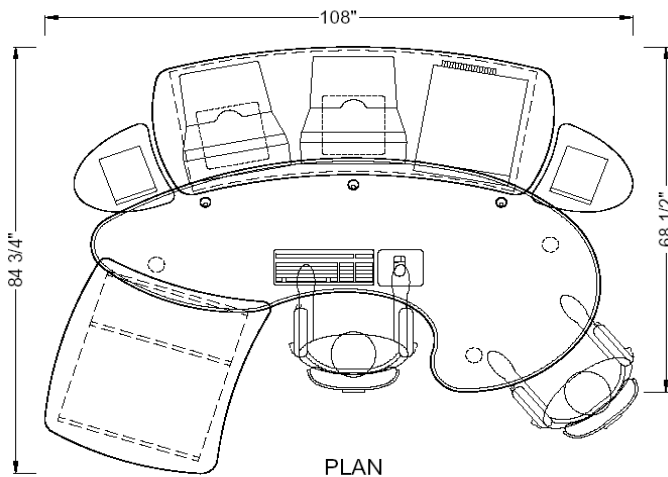
Designed primarily for non-linear editing, the "MAKO 3c" combines a tight wrap-around edit position with an integral producer/client position. The freeform shape works best with an *optional* left side equipment cabinet or desktop extension. Standard features include the following:

- 3 bay curved turret@ 3 ru per bay;
- 2 bay base cabinet with 11 ru per bay (adjustable shelves are a no cost option);
- removable front vented panels; open back;
- 3 X metal post legs with floor levelers;
- laminate or linoleum desktop finish with black bumper edge;



(shown with *optional* speaker modules, left side equipment cart, and solid mahogany desktop)

\$4,457.00

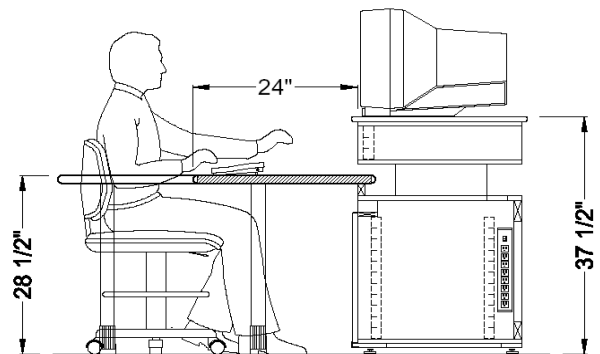


Optional Finishes

Solid wood ctop \$1,915.00

Optional Accessories

SM-2 speaker modules, ribbed rubber tops	\$374.00
EC-1.5 equipment cart	\$919.00
Peforated metal vent (includes rear rail)	\$110.00
Rear vented access panel (each)	\$167.00
Side producer table w/post legs	\$662.00



TBC CONSOLES 170 Rodeo Drive Edgewood New York 11717

phone: (631)293 4068 fax: (631)293 4075 toll free: (888)CONSOLE

rev: 2/10

e-mail: info@tbconsoles.com

web site: www.tbconsoles.com