



TBC CONSOLES

FREEFORM Series

"MC-4"

Model: FF-MC-4

Designed for Master Control operation, TBC's MC-4 features a low-profile rack bridge with a unique 0 degree sightline to primary monitor. Combined with TBC's Monitor Beam System (MBS) provides flexible mounting for all LCD and PLASMA displays.

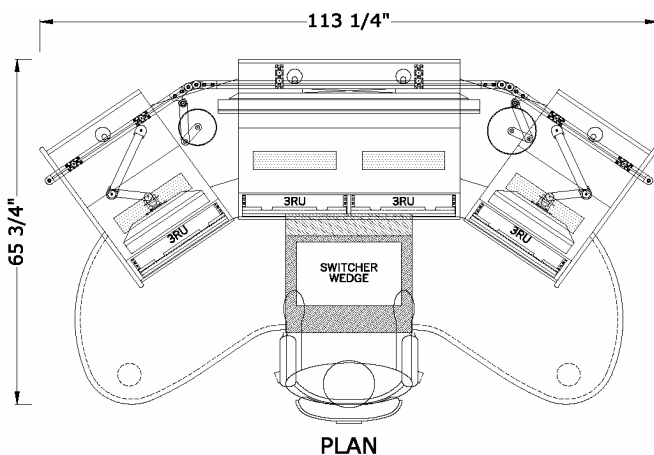
- 4 bay angled-surround turret @ 3 ru per bay;
- 4 bay base cabinet @ 9 ru per bay
- removable front vented panels; open back;
- metal post desk supports (silver or black);
- laminate or linoleum desktop finish with black bumper edge;
- alternate configurations available for specific switcher panels and applications



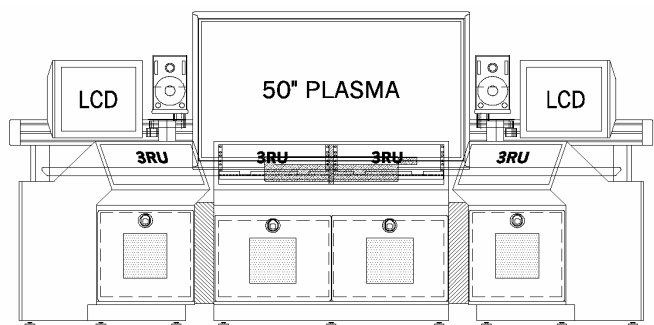
(shown with optional switcher wedge, MBS, Plasma mount and articulating speaker platforms);

base model: **\$4,350**

(shipping + handling additional)



PLAN



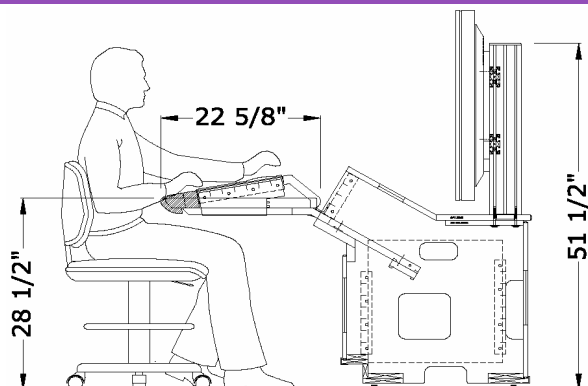
ELEVATION

**Finishes**

TBC standard linoleum or laminate	0
multi-ply wood edge with laminate top	385
multi-ply edge with real wood veneer top	1,090
solid wood (maple, oak, cherry, mahogany)	2,200
ribbed aluminum end panels (each);	325

**Optional Accessories**

<b>PM-1</b> Plasma monitor mount assembly	\$495
<b>MBS-1</b> Monitor Beam System (per bay)	125
<b>MBS-t</b> Monitor Beam transitions (each)	125
<b>Switcher Panel Wedge</b> (rack mt. + padded)	500
<b>SSM-2</b> Articulating Speaker Platforms	390
rear vented access panel (each)	145
<b>LCD-1</b> LCD Articulating Arm	325



SECTION