



C O N S O L E S

Editing + Graphics Consoles

TOMCAT 1A

Model: M-TC.1af

Ideally suited for high end desktop graphics and animation, the unique, cutting edge shape of the "TOMCAT 1a" features an adjustable height countertop combined with TBC's adaptable aluminum frame system. Other base model features include:

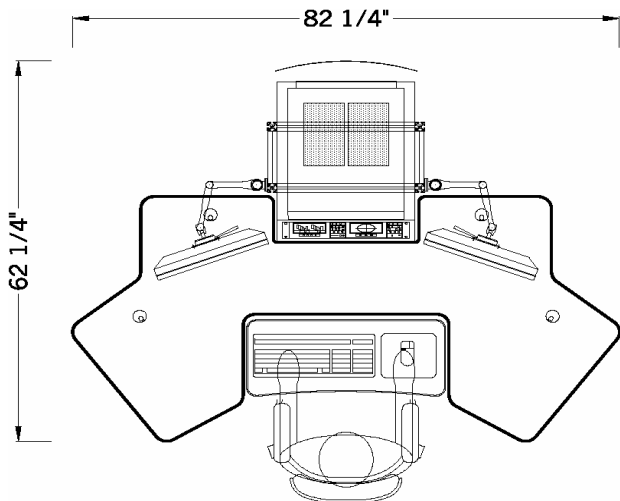
- adj. ht. desktop with hand crank (26" - 29")
- steel base (silver finish) with floor levelers
- 1 bay angled turret @ 3 r.u.
- flat top turret for typical 19"-21" monitor
- aluminum frame system for unlimited monitor and speaker configurations
- plastic laminate or linoleum finish with black bullnose bumper edging



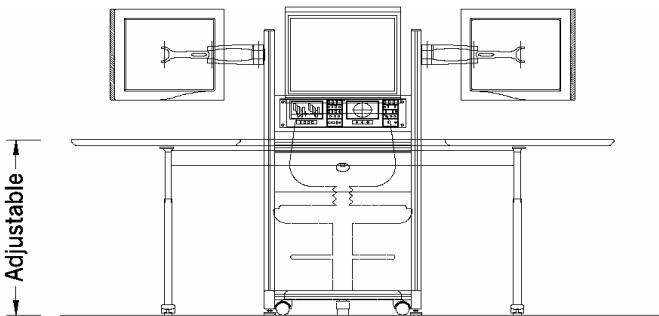
(shown with **optional** articulating keyboard platform, 2 M7 LCD arms, rear monitor screen)

base model: **\$3,390**

(shipping + handling additional)



PLAN



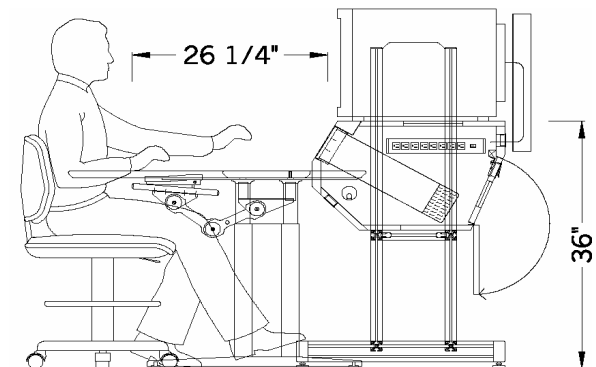
ELEVATION

Optional Finishes

multi-ply wood edge with laminate top	\$ 345
multi-ply edge with real wood veneer top	630
solid wood (maple, oak, cherry, mahogany)	1,665
Corian, Fountainhead, Avonite solid surface	3,330

Optional Accessories

"M7" LCD articulating arm	\$ 285
articulating keyboard/mouse platform	685
curved, perf. aluminum monitor screen	380
rear access panel (hinged)	95
equipment cart (model EC-1m) 12 ru casters	635
(4) casters on desktop steel frame base	40



SECTION

TBC CONSOLES 115 Cabot Street West Babylon New York 11704
 phone: (631)293-4068 fax: (631)293-4075 toll free: (888)CONSOLE
 e-mail: tbc@TBCconsoles.com web site: www.TBCconsoles.com