



Freeform Series

Editing + Graphics Consoles

CROSSFIRE X-K2

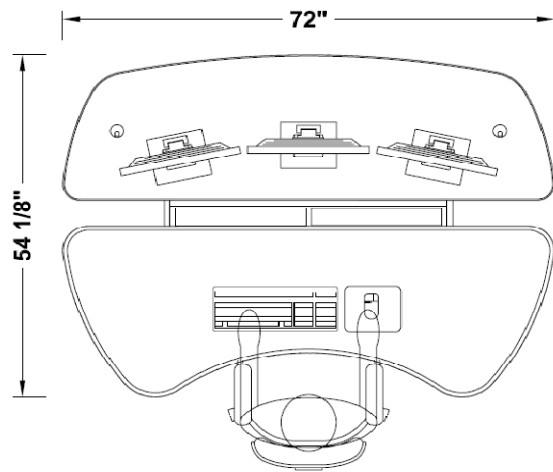
Model: X-K2

TBC's "**CROSSFIRE**" console is a low cost, hi-style, ergonomic solution for all non-linear editing applications. This sleek, low profile design, is engineered for easy assembly.

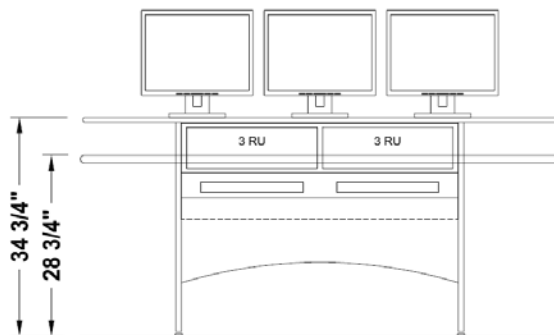
- 2 bay @ 3 r.u. angled turret; vented top and bottom; hinged access panel;
- extended bridge for 3 x 20" monitors - or - 2 x 20" monitors with 2 speakers
- open "X" frame construction with modesty panel and complete cable management; floor levelers.



\$2,467.00



PLAN VIEW



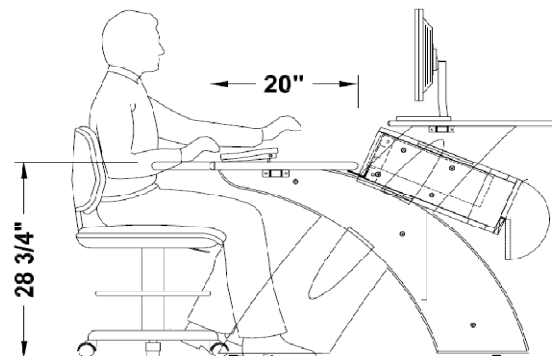
ELEVATION

Finishes (view at www.tbconsoles.com)

Standard linoleum countertop	Included
Standard laminate countertop	Included

Optional Accessories

EC1-13	13 ru equipment cart, 1-bay	\$699.00
EC1.5	13 ru equipment cart, 1.5-bay	\$919.00
EC2-W	13 ru equipment cart, 2-bay	\$1,029.00
EC1-24	24 ru equipment cart, 1-bay	\$809.00
PT	Matching client/producer table	\$662.00



SECTION

TBC CONSOLES 170 Rodeo Drive Edgewood New York 11717
 phone: (631)293 4068 fax: (631)293 4075 toll free: (888)CONSOLE

rev. 2/10

e-mail: info@tbconsoles.com

web site: www.tbconsoles.com