

STANCHION TYPE **BASE STRUCTURE (T26)**
ALUMINUM EXTRUSION / STEEL COMBINATION
PROVIDES HIGH STRENGTH TO WEIGHT RATIO
AND CUSTOM DEPTH CONFIGURATIONS
UTILIZING STANDARD COMPONENTS.

FRONT **TRAC**
FOR LCD POSTS,
COUNTERTOP ARMS
& ACCESSORIES

REMOVABLE **RACK TURRETS**
WITH VENTED METAL LID

REAR **TRAC**
FOR LCD ARMS

C-TOP ARMS
HEAVY GAUGE STEEL
SUPPORT 200lb LOAD/PAIR

POWER STRIP (OPTIONAL)
3' (10 OUTLET) -OR- 6' (20 OUTLET)

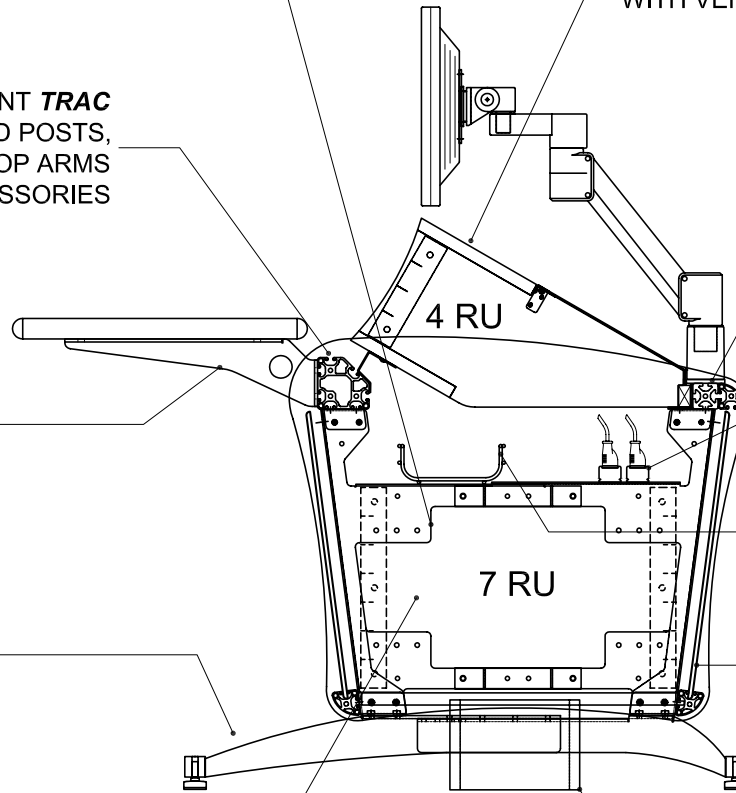
FORMED STEEL
SUPPORT FOOT
WITH LEVELERS

WIRE MESH CABLE TRAY
SUPPORTS WIRES EVENLY
AND ALLOWS EASY DROPOUTS

VENTED, REMOVABLE
BOTTOM PANELS

FRONT AND REAR RACK RAIL
ADJUSTABLE SETBACK
TAPPED WITH **10-32** SCREW HOLES

CABLE COLLAR
ADJUSTS TO MATCH
FLOOR CUTS.



ALL DESIGNS, PLANS, IDEAS AND SPECIFICATIONS INDICATED IN THIS DRAWING REMAIN THE ENTIRE PROPERTY OF TBC CONSOLES INC., AND MAY NOT BE USED IN ANY MANNER WITHOUT PRIOR WRITTEN CONSENT.

IntelliTrac® console system

T26 / typical cross-section

