



TIME BASE CONSOLES

AC-YT-XS/M/XL Microphone Arm

Choose between mika Mic Arms with open cable ends or with installed XLR-connectors.

All NON On Air m!ka Mic Arms come with 3-pin XLR-connectors on both, the upper and lower end of the cable.

All mika Mic Arms with On Air come with 3-pin XLR-connector on the upper end of the cable. On the lower end of the cable they come with a 5-pin XLR-connector which is needed to control the redlight.



FEATURES

Sturdy aluminum tube construction

Open end cables or installed XLR-connectors (AC-YT-XLR)

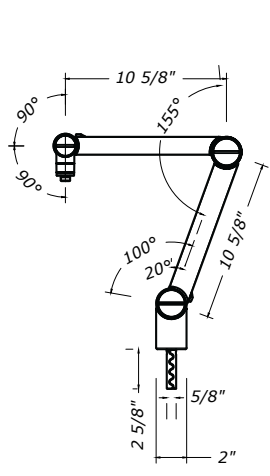
Various mounting possibilities

Supports microphones weighing up to 2kg (4.5lbs)

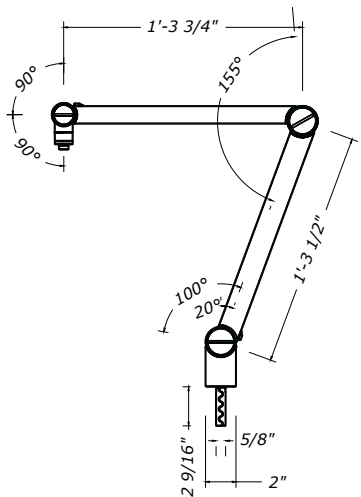
Wiring concealed by tubes and joints

Optional "On-Air" indicator light available

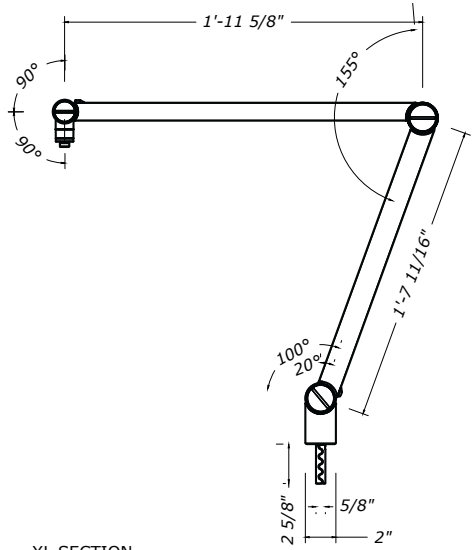
DIMENSIONS



XS SECTION



M SECTION



XL SECTION

Dimensions	Extra Small	Medium	Extra Large
Max Length	21" (53.5cm)	31" (78.7cm)	42.3" (107.5cm)
Weight	1.98 lbs (0.9kg)	2.31 lbs (1.05kg)	3.20 lbs (1.45kg)
Max Mic Weight	4.41 lbs. (2kg)	4.41 lbs. (2kg)	4.41 lbs. (2kg)