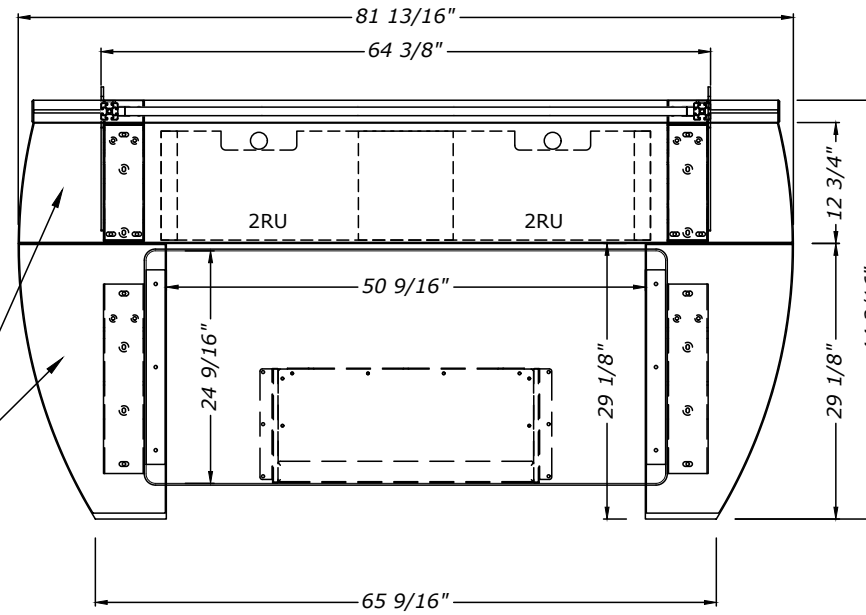


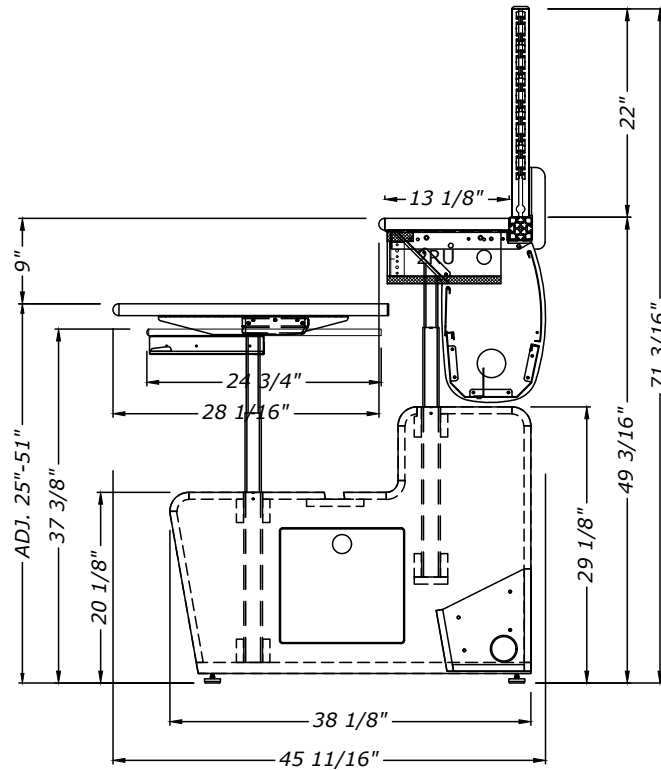
CONSOLE WAS DESIGNED
FOR AVID S4-4
DROP WELL OPENING approx. 29"x50"

COUNTER TOP FINISH:
FORMAL WALNUT LAMINATE

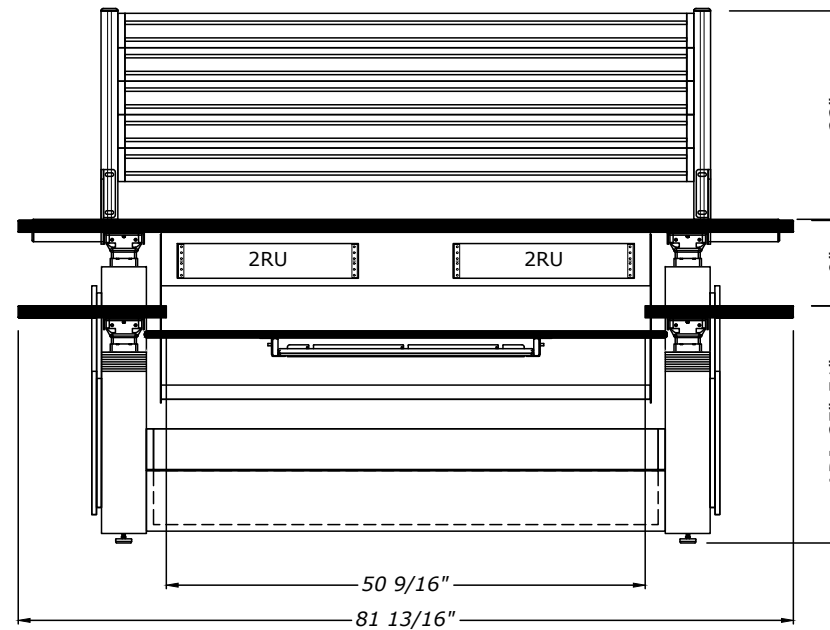


PLAN VIEW

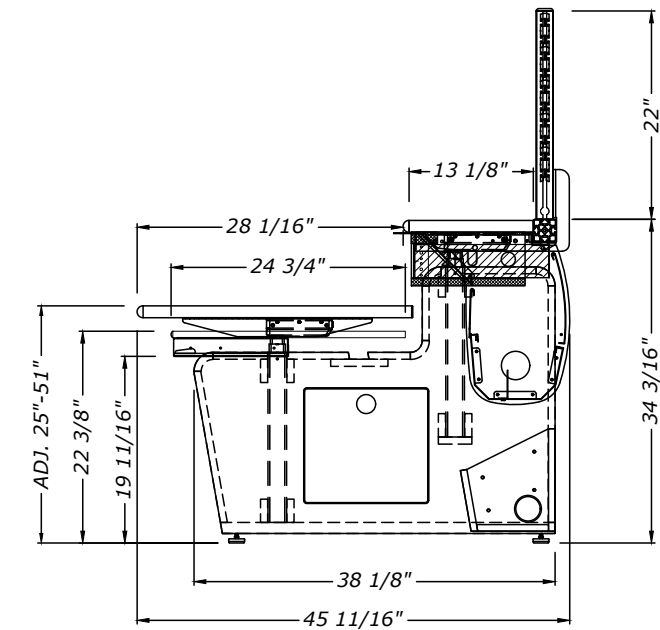
CUSTOM HEIGHT ADJUSTABLE STE-2.5
BI-LEVEL AUDIO CONSOLE w/ DROP WELL
w/ CUSTOM LEGS, x2 RU RACKS, SLAT WALL,
UNDER COUNTER PULLOUT KEYBOARD TRAY



STANDING SECTION



SEATED ELEVATION



SEATED SECTION

DIMENSIONS AND EQUIPMENT TO BE VERIFIED BY CLIENT PRIOR TO APPROVAL OF DRAWINGS. ANY CHANGES AFTER APPROVAL WILL RESULT IN A CHANGE ORDER. DRAWINGS ARE NOT TO SCALE.



| | | | | | |
|---|-------------------------------------|-------------------------------|-------------------------|----------------------|--------------|
| Client: TBC | Project: CLEARANCE STE-2.5 BI-LEVEL | Dwg. Title: CLEARANCE CONSOLE | Project #: | STE-2.5-BI CLEARANCE | Rev. Date |
| Countertop: FORMAL WALNUT LAMINATE | Edge: BLACK | Side Panel: BLACK | Monitor Arms: | Turrets: Black | Frame: Black |
| This drawing remains the exclusive property of Time Base Corp. d/b/a TBC Consoles (TBC). The designs, plans, ideas and specs shown cannot be copied or shared with a third party in whole or in part without prior written permission of TBC. | | | Ref #: | Acct Mgr: SS | Drwn By: NN |
| 170 RODEO DR. EDGEWOOD, NY 11717 631-293-4068 INFO@TBCCONSOLES.COM TBCCONSOLES.COM © 2023 TIME BASE CORP D/B/A TBC CONSOLES. ALL RIGHTS RESERVED | | | Create Date: 11/15/2024 | | Page 01 |