



170 RODEO DR EDGEWOOD, NY 11717  
PHONE: 631-293-4068 FAX: 631-293-4075

Client:

**TBC  
CLEARANCE**

Project:

**C3  
SECURITY CONSOLE**

Drawing Title:

**C3 CONSOLE  
DETAILS**

Drawn by:

SC

Date:

6/30/2021

Scale:

1/2" = 1' - 0"

Rack Rail Type:

10/32

Finishes:

TURRETS:

N/A

MONITOR ARMS:

T.B.D.

END PANEL:

N/A

COUNTER TOP:

T.B.D.

EDGE:

T.B.D.

DESIGNS, PLANS & SPECIFICATIONS ARE THE PROPERTY OF TBC CONSOLES AND MAY NOT BE SHARED, REPRODUCED, OR USED WITHOUT WRITTEN CONSENT.

- DO NOT SCALE DRAWINGS
- ELECTRONIC EQUIPMENT SHOWN IS FOR PRESENTATION PURPOSES ONLY

CLIENT SIGNATURE BELOW APPROVES SPECIFICATIONS INDICATED.

date:

Revisions:

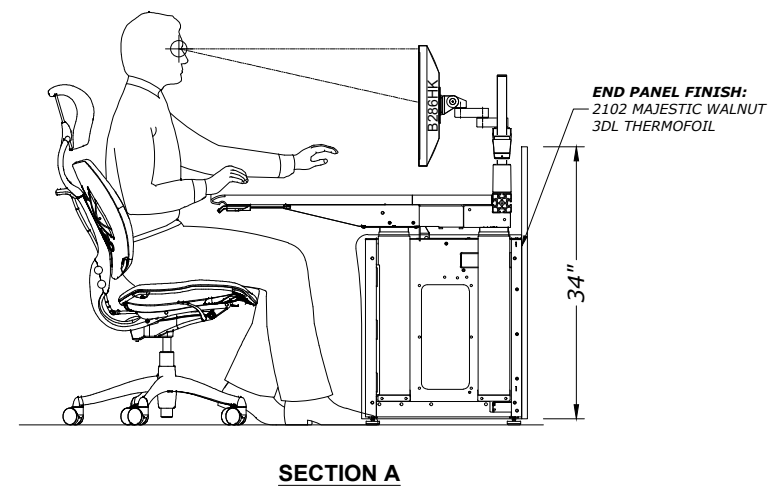
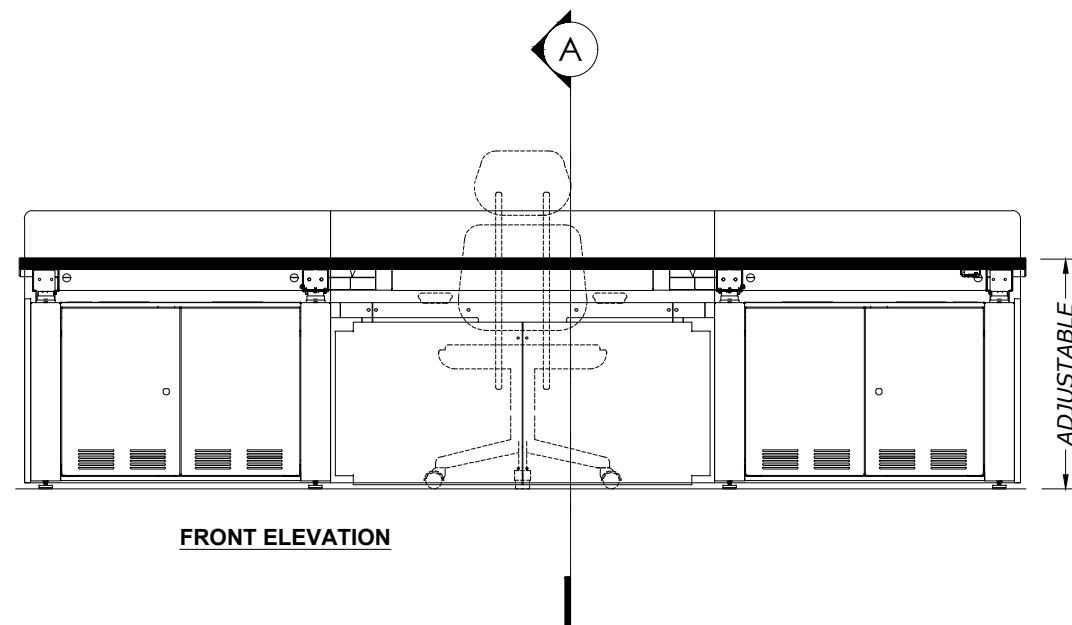
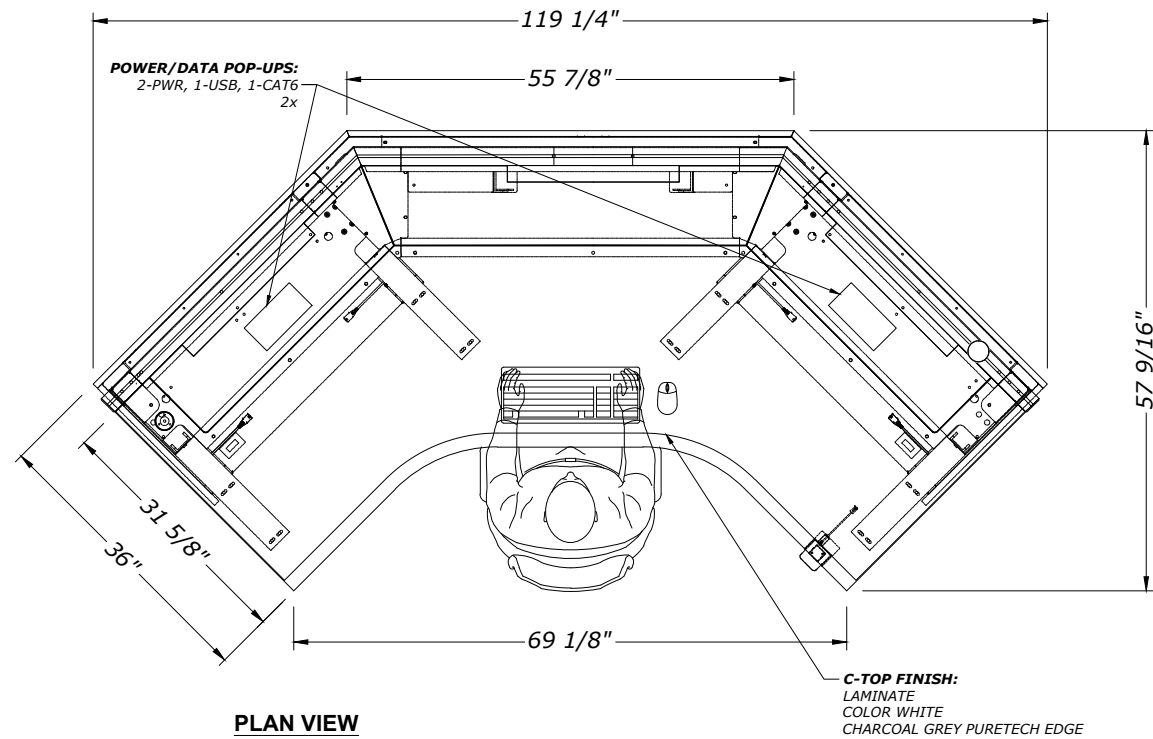
No.	Description

Filename:

C3 CLEARANCE

Drawing No:

**DP-102**



\* DIMENSIONS AND DESIGN OF THE SPACE SHOWN ON THIS DRAWING HAVE NOT BEEN VERIFIED BY TBC CONSOLES. TBC SUGGESTS THAT ALL DIMENSIONS AND POTENTIAL OBSTRUCTIONS IN THE ROOM BE VERIFIED PRIOR TO APPROVAL OF THESE DRAWINGS.