



CONSOLES

170 RODEO DRIVE EDGEWOOD, NY 11717  
PHONE: 631-293-4068 FAX: 631-293-4075

Client:

TBC  
CLEARANCE

Project:

FLOOR STANDING  
MOUNT

Drawing Title:

SHOP  
DRAWING

Design by: TBC

Drawn by: RG

Date: 2/25/20

Scale: No to scale

Rack Rail Type: NA

Plan Spec: SEE NOTES

Plan Spec:

ALL DESIGNS, PLANS, IDEAS &  
SPECIFICATIONS INDICATED IN THIS  
DRAWING REMAIN THE ENTIRE  
PROPERTY OF TBC CONSOLES INC.  
AND MAY NOT BE REPRODUCED OR  
USED IN ANY MANNER WITHOUT  
WRITTEN CONSENT.

CLIENT SIGNATURE APPROVES ALL  
SPECIFICATIONS INDICATED IN  
THIS DRAWING.

client: \_\_\_\_\_ date: \_\_\_\_\_

DESIGN PROPOSAL DRAWINGS

CONSTRUCTION DRAWINGS

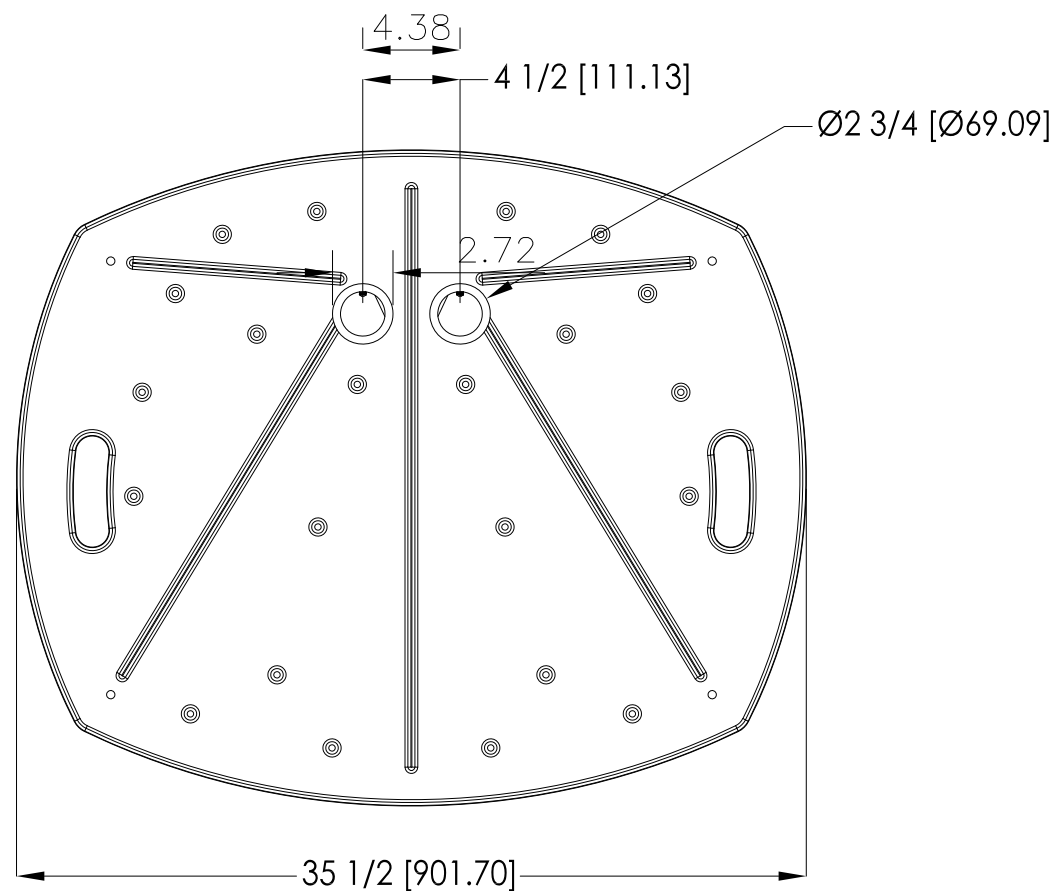
Revisions:

No.	Description	Date

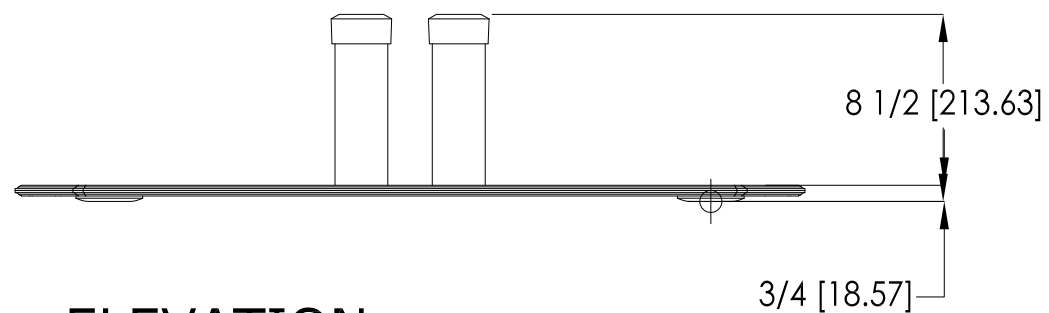
Filename: PRODUCER TABLE

Drawing No:

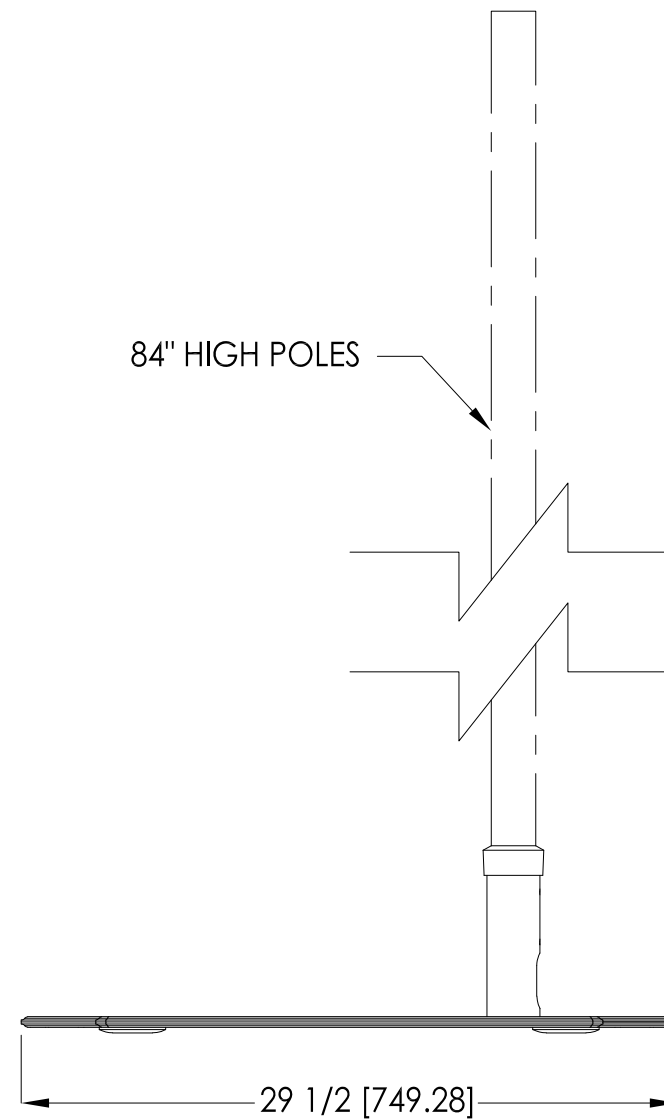
DP-101



PLAN VIEW



ELEVATION



SECTION