



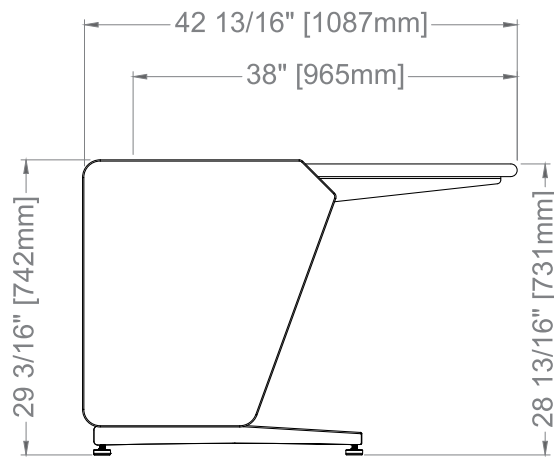
**TIME BASE  
CONSOLES**

**CTL**  
Product Guide



## TABLE OF CONTENTS

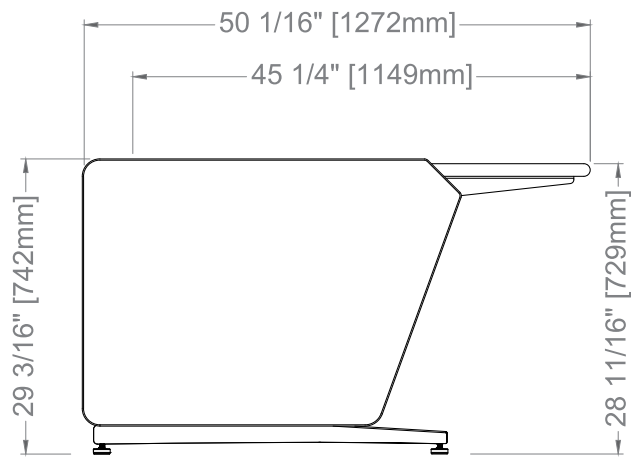
<b>3</b>	<b>BASE OPTIONS</b>
	A & B - DEPTH
<b>5</b>	<b>OVERVIEW</b>
	FRAMES & TRANSITIONS
<b>6</b>	<b>CABLE MANAGEMENT</b>
<b>7</b>	<b>EQUIPMENT CLEARANCE</b>
<b>8</b>	<b>OPTIONS</b>
	ACCESS PANELS & UPPER MODULES
<b>9</b>	<b>BASE STORAGE</b>
<b>10</b>	<b>ACCESSORIES</b>



The CTL-A is the standard-depth configuration within the CTL Series, designed for efficient equipment integration in space-conscious environments. Each bay is built around a 19" equipment module with leveler feet, wire mesh cable trays, and optional fiber-optic trays, along with front and rear doors featuring dual-trac equipment mounting.

Base configurations support up to 9RU of internal rack storage or provide clearance for CPUs up to 18" deep, depending on application needs. Upper module turrets are available in 30° and 45° options, and each unit includes a dedicated stanchion. CTL-A consoles feature silver aluminum extrusion and steel construction as standard, with optional upgrades to black (onyx) finishes, along with laminate or Thermofoil side panels and customizable branding. Systems support front and rear rack rail mounting and are configured per bay, with flexible layouts available to suit operational requirements.

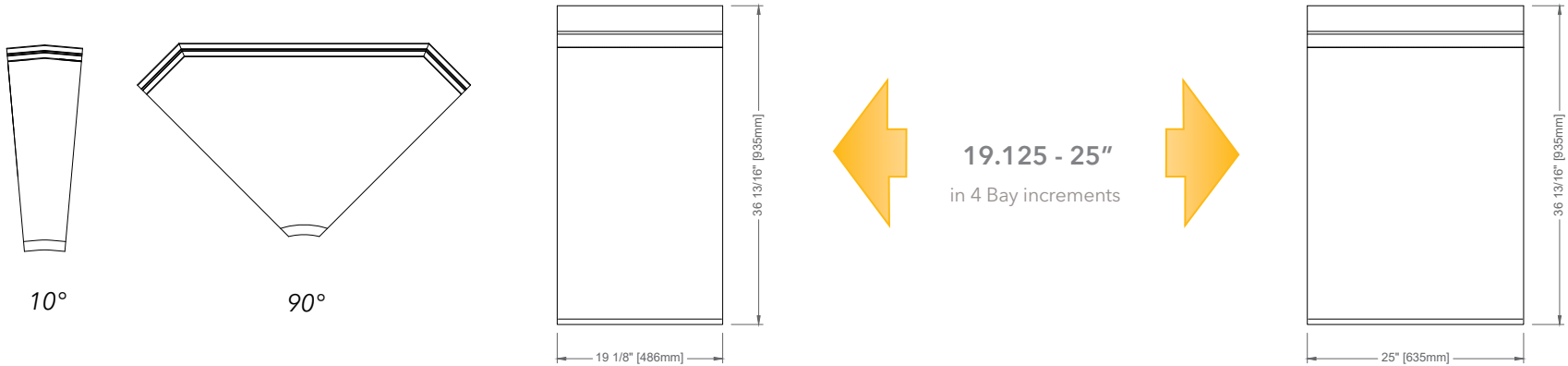
A-DEPTH - STANDARD



CTL-B is the extended-depth configuration of the CTL Series, purpose-built for applications requiring increased equipment capacity and deeper component accommodation. Maintaining the same core design framework, CTL-B utilizes 19" or 26" equipment bay modules with integrated cable management, including wire mesh trays and optional fiber pathways, as well as front and rear dual-trac mounting for enhanced flexibility.

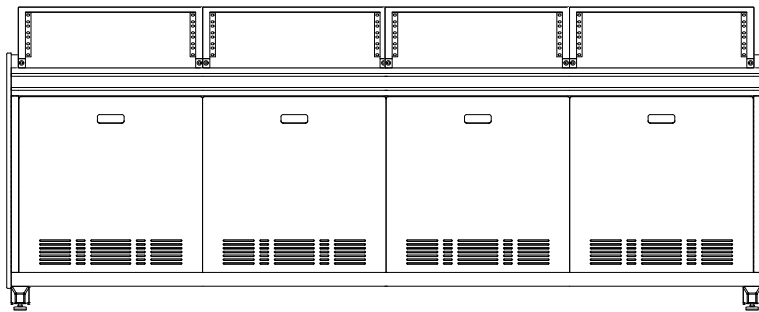
The extended depth allows for greater internal space, supporting more demanding equipment setups while preserving clean cable routing and accessibility. Like CTL-A, it offers 30° and 45° upper module turrets, dedicated stanchions, and a standard construction of silver aluminum extrusion and steel, with optional black (onyx) upgrades. Finish options include laminate or Thermofoil panels with available custom graphics. CTL-B is also priced per bay and can be deployed in continuous or segmented console runs, adapting easily to larger or more complex control room environments.

B-DEPTH - EXTENDED

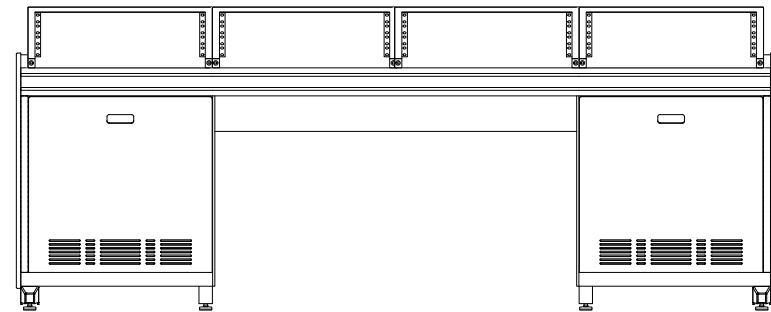


Modular frames and transitions form the overall structure of each CTL console system. Frames range from 19.125 to 108 inches (526 - 2743 mm) per splice, while transition pieces come in a variety of standard and custom angles to facilitate required user access and equipment storage. Reverse transitions are also available in 15, 22.5, and 30° to accommodate opposing angles and ensure smooth directional changes within the console layout.

Frame Options



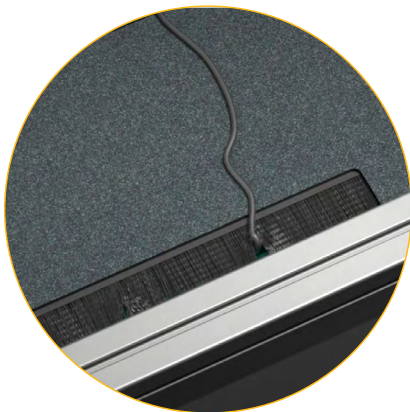
**CLOSED BASE**  
Up to 9RU of storage in each base cabinet



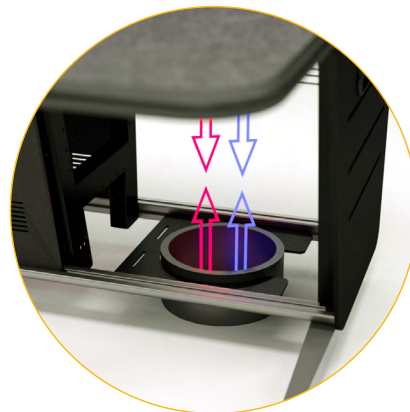
**OPEN BASE**  
Up to 3 continuous running open bays



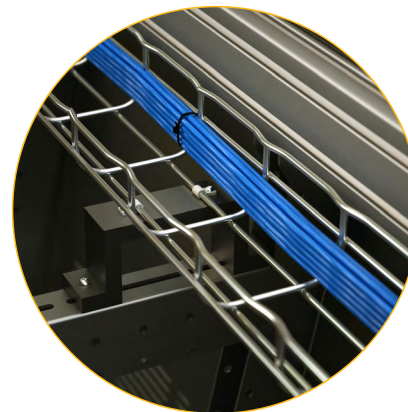
Cable management is one of the most critical aspects of any piece of technical furniture. We have integrated horizontal and vertical cable raceways for optimal separation of power and data cables.



**INFILL ACCESS**  
Lift-off access to  
wire cable basket



**CABLE COLLAR**



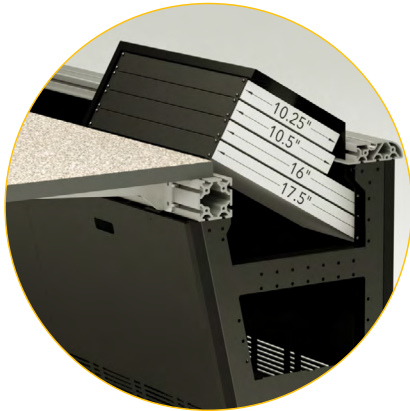
**WIRE BASKET**  
Optional riser for increased height



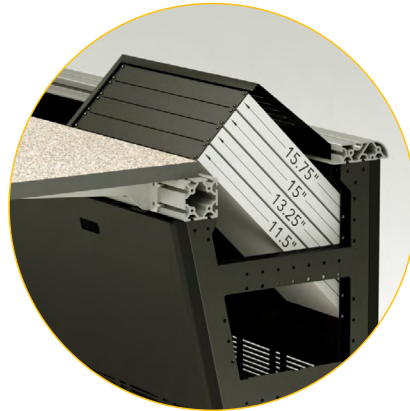
**SIDE PANEL**  
Optional cable access added

## Equipment Clearance Upper Modules

Turrets are available in different rack unit sizes, with larger modules featuring a rear door for equipment access. They are also offered in 30° or 45° configurations, depending on your sightlines and equipment needs.



30° 4RU  
A Depth



45° 4RU  
A Depth



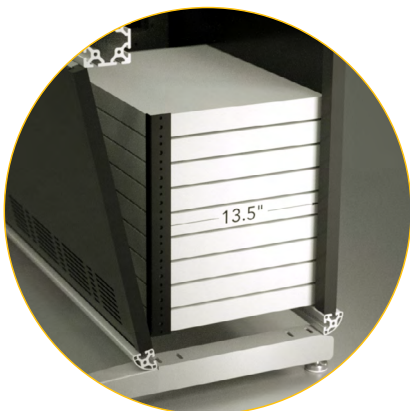
30° 4RU  
B Depth



45° 4RU  
B Depth

## Base Clearance

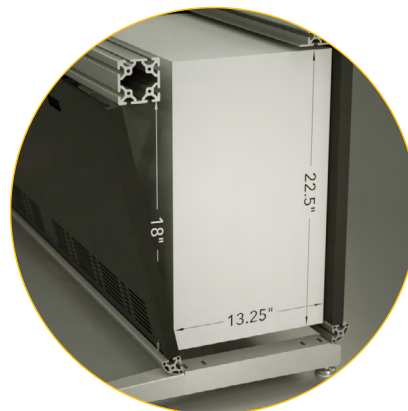
CTL consoles are equipped with 9RU rackrail for front or rear-facing equipment. The following details clearances for equipment mounted on the front rack rail; dimensions remain consistent for the optional rear rack rail.



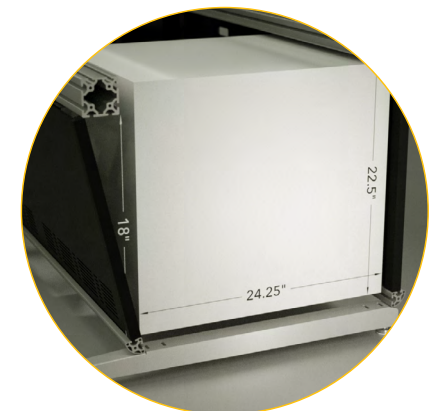
A DEPTH



B DEPTH



A DEPTH  
Full Clearance



B DEPTH  
Full Clearance



STANDARD



LOCKABLE



STEEL  
Upgrade Option



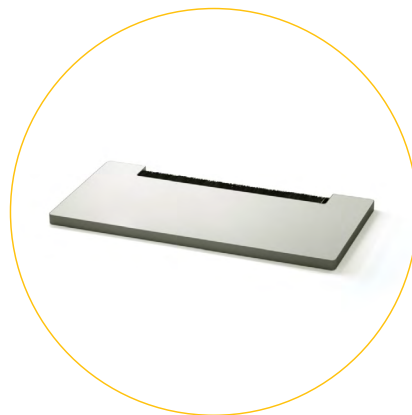
FAN & THERMOSTAT

Upper Modules

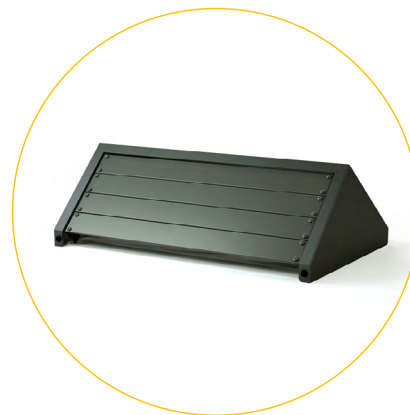
Interchangeable, removable, and able to be repositioned without the need for tools. These modules are available in a variety of sizes with the console being able to hold 2RU through 9RU turrets standard.



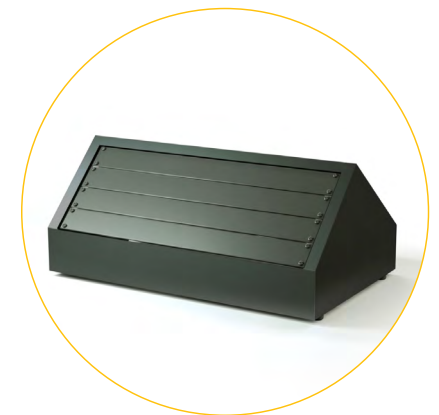
MONITOR DROP WELL  
A & B depth



CABLE ACCESS PANEL  
Single-sided brush strip



4RU TURRET  
30° or 45° available



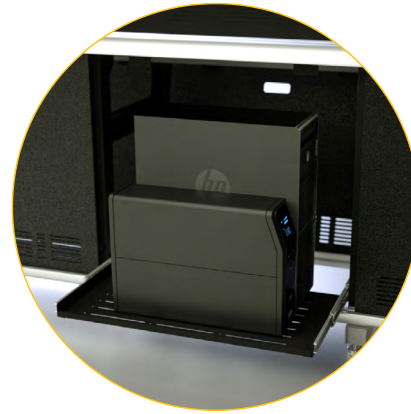
4RU  
Freestanding



*FRONT RACK RAIL*  
Standard - 9RU 10/32



*REAR RACK RAIL*  
Optional - 9RU 10/32



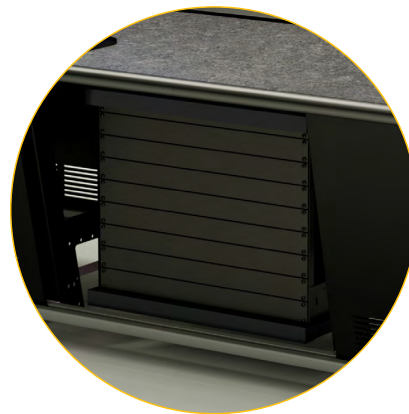
*PULL-OUT SHELF*  
Front or rear facing



*FIXED SHELF*  
Vented Steel or HDPE



*EXTENDED BASE*



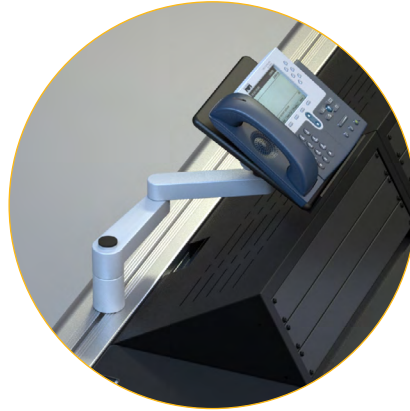
*REMOVABLE RACK BOX*  
CTL-B Up to 24" Deep



*FILE PEDESTAL*



LIGHTING



PHONE ARM

Shown with standard turret



PULL-OUT KEYBOARD TRAY



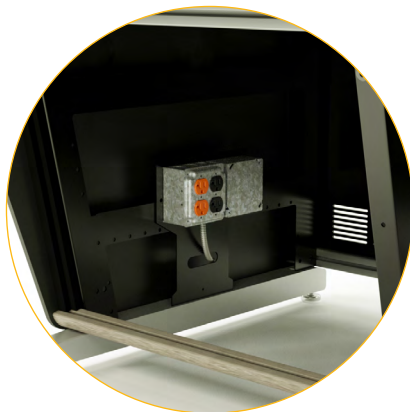
MONITOR ARMS

Power Options

Power management is one of the most critical aspects of any piece of technical furniture. We have a variety of ways to handle internal and convenience power to the console and peripherals.



IN SURFACE QI CHARGING



A/V PLATE

Junction box not included



INTERNAL BASE POWER STRIP

Multiple locations possible



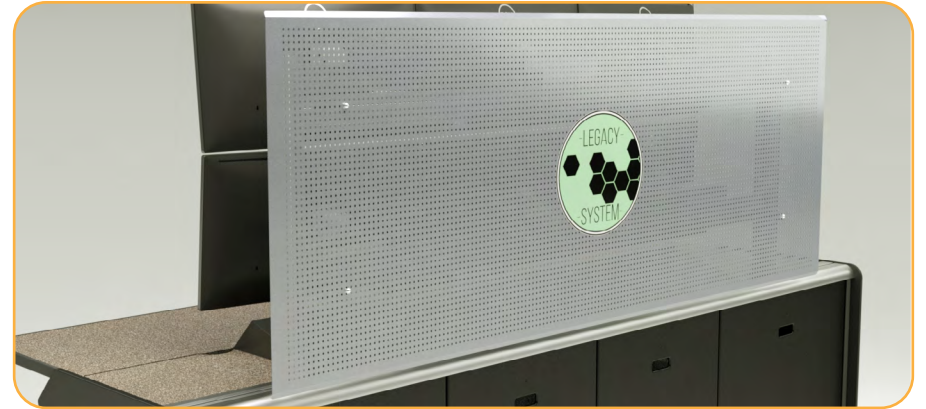
CONVENIENCE POWER

Available under worksurface & rear Trac

The monitor frame mounts to the rear track, stabilizing multi-monitor setups and hiding cables. It reduces shake, supports larger displays on smaller consoles, and allows precise placement with future adjustment.



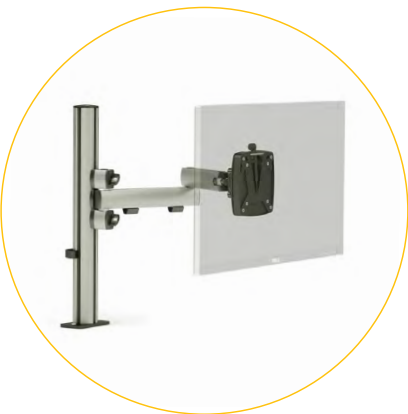
*SINGLE TIER*  
With cable basket



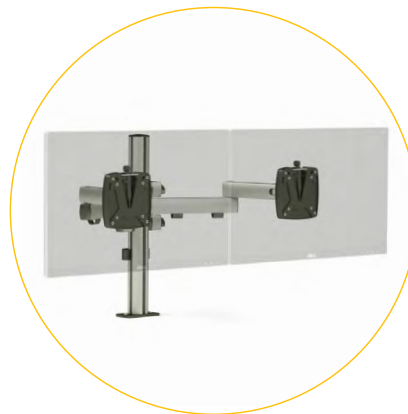
*DOUBLE TIER*  
With privacy panel

Articulating Arms

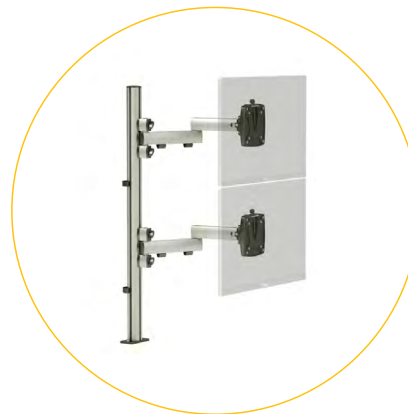
Consoles can mount monitors from a rear extrusion "trac" which allows for flexibility in mounting positions. Infills are included as a standard upper module with the ability to include equipment turrets that can sink into the worksurface.



*POLE MOUNT*



*DOUBLE ARMS*



*1:1 ARMS*



*PNEUMATIC*

For more information about our consoles, including CAD & Revit models, please visit [tbconsoles.com](http://tbconsoles.com).

You may also contact one of our Account Managers for a free design review by emailing [sales@tbconsoles.com](mailto:sales@tbconsoles.com).



[tbconsoles.com](http://tbconsoles.com)

All specifications and other information contained in this guide are based on the latest product information available at the time of printing. TBC Consoles is dedicated to product improvement and therefore reserves the right to make changes to the specifications of this and other products.

© TBC Consoles. Not to be reproduced wholly or in part without specific written permission from TBC Consoles.