



# TIME BASE CONSOLES

# EVO Dual Monitor Arm

Refined for superior performance, the third-generation Evo Dual Monitor Arm provides ergonomics and space savings in a sleek monitor arm. Evo supports the monitors with true constant force, ensuring smooth movement across the arm's entire range of motion. It's easier than ever to mount flat panel monitors while complementing any workspace with Evo's modern design.

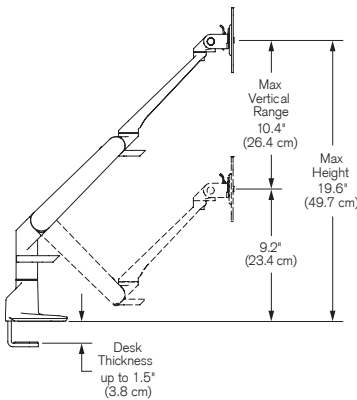


## FEATURES

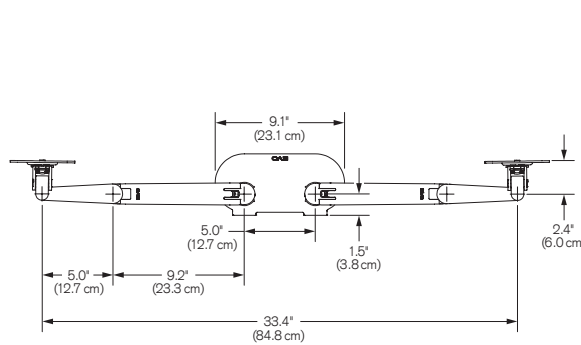
- Accommodates up to (2) 27" screens
- Max monitor weight of 15 lbs. (6.8 kg) per arm
- Rotates 180° at Base and 360° at upper joints
- Monitor tilt of over 200 degrees
- Adjustable tension at all joints - ideal for touch screen applications
- VESA plate with 75 & 100mm hole patterns included, other options available
- Arm supplied with Desk Edge and Thru-Desk mounting kit



## DIMENSIONS



SECTION



PLAN EXTENDED & FOLDED

\* Joint is capable of rotating 360 degrees, but size of monitor will limit the rotation.