



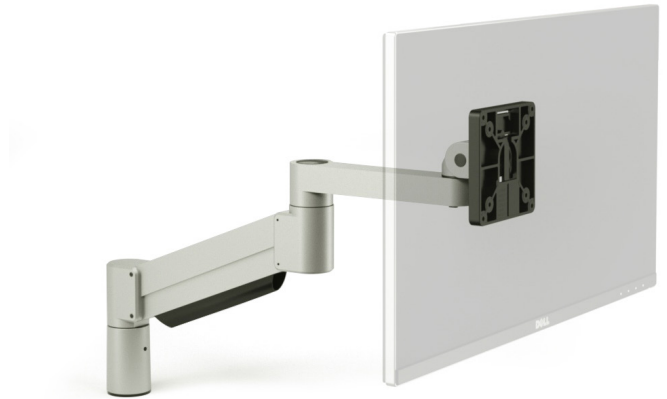
TIME BASE CONSOLES

FP-7000

Floating Mid Range Monitor Arm

The FP-7000 can fold to fit in 3" of space and extend out 23.4"

Cable management allows for wires to clamp onto the post and tuck under the arm segments



MODELS

The FP-7000 arm supports a wide range of monitors

7000-500	3 - 10 lbs. monitor
7000-800*	10 - 22 lbs. monitor
7000-1000	13 - 28 lbs. monitor

* 7000-800 standard in silver, all other models are special order

FEATURES

Accommodates up to 32" screens

Adjustable tension at all joints

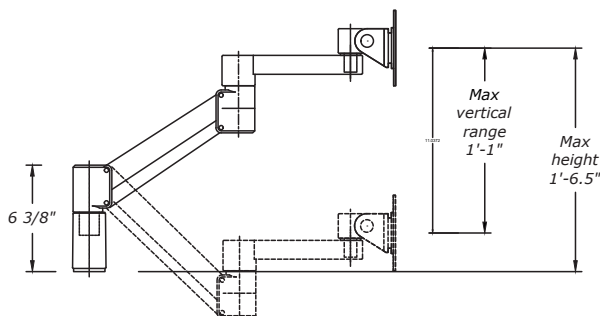
Optional clamp mount for surfaces up to 2" thick or mount with integrated USB hub sold separately

VESA plate with 75 & 100mm hole patterns included, adapters for 200x300 or 100x200mm patterns sold separately

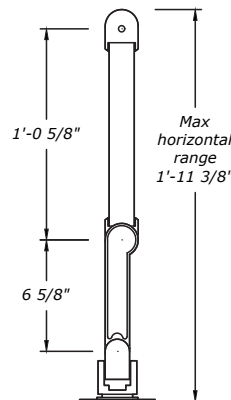
FP-UNICUP mount and split screw kit included. 4 or 6" extenders sold separately



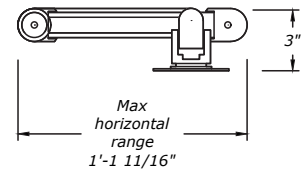
DIMENSIONS



ELEVATION



PLAN VIEW EXTENDED



PLAN VIEW FOLDED