



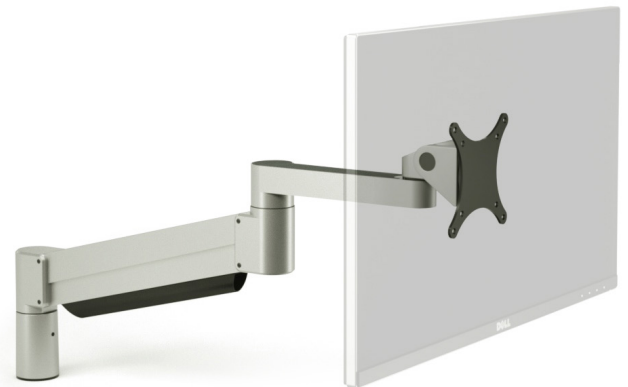
TIME BASE CONSOLES

FP-7500

Floating Long Range Monitor Arm

The FP-7500 can fold to fit in 4.5" of space and extend out 27"

Cable management allows for wires to clamp onto the post and tuck under the arm segments



MODELS

The FP-7500 arm supports a wide range of monitors

7500-500	2 - 13 lb monitor
7500-800*	6 - 21 lb monitor
7500-1000	8 - 27 lb monitor
7500-1500	12 - 40 lb monitor

*7500-800 standard in silver, all other models are special order



FEATURES

Accommodates up to 43" screens

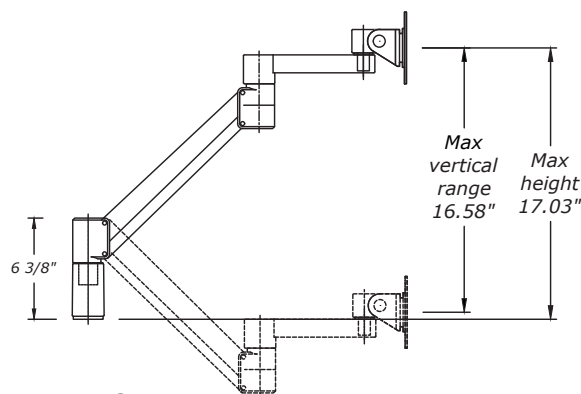
Adjustable tension at all joints

Optional clamp mount for surfaces up to 2" thick or mount with integrated USB hub sold separately

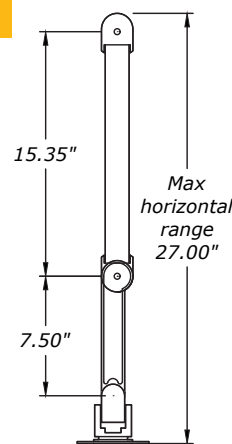
VESA plate with 75 & 100mm hole patterns included, adapters for 200x300 or 100x200mm patterns sold separately

FP-UNICUP mount and split screw kit included. 4 or 6" extenders sold separately

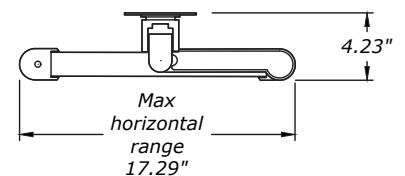
DIMENSIONS



ELEVATION



PLAN VIEW EXTENDED



PLAN VIEW FOLDED