



TIME BASE CONSOLES

FP-9222-B Reconfigurable Articulating Arm

The FP-9222 articulating monitor arm mounts directly to the console for space-saving ergonomic comfort.

Easily adjust the monitor arm vertically along the 14" pole mount*

The arms can fold to fit in 4.5" of space and extend out over 16"

Cable management allows for wires to clamp onto the post

This product is designed for modularity and can accommodate multiple configurations.



FEATURES

Supports screens up to 32" [81 cm] and rated for 22 lbs. [10 kg]

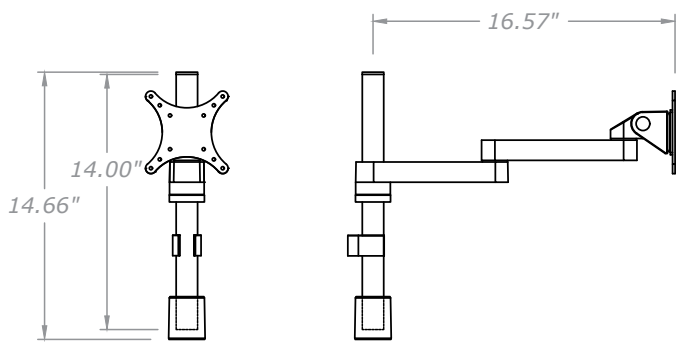
Adjustable tension at all joints, ideal for touch-screen applications

75mm & 100mm VESA compatibility,

Tilt up to 190°

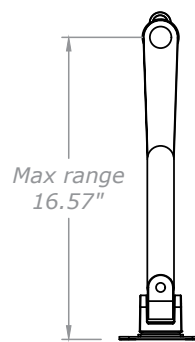
**Mounting pole also available in 28" and 36" lengths.*

DIMENSIONS

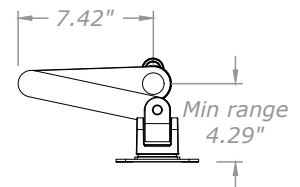


ELEVATION

SECTION



PLAN VIEW A



PLAN VIEW B