



TIME BASE CONSOLES

FP-CLU Reconfigurable Articulating Arm

The CLU monitor arm features a space-saving design that neatly tucks behind the monitor, smooth gas spring movement for ergonomic adjustments.

Quick Release connection makes it easy to relocate or upgrade monitors

The arms can fold to fit in less than 4" of space and extend out over 17"

Cable management to conceal of wires for a clean look



FEATURES

Arm holds up to 15.4 lbs.

Swivel of 180°

Adjustable tension at all joints

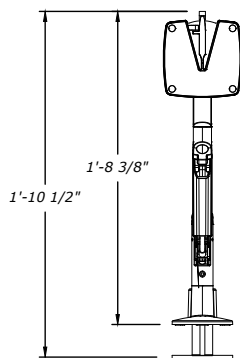
Comes with 3-in-1 (clamp/screw/grommet) mounting kit

QuickRelease VESA plate with 75/100 hole pattern included, other options available

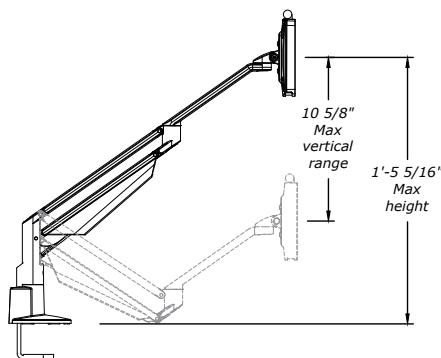
Adapter plate for extrusion mounting available



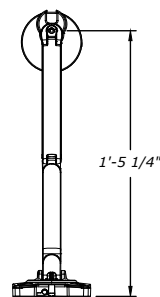
DIMENSIONS



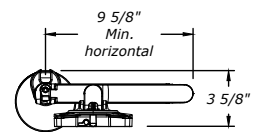
ELEVATION



SECTION



PLAN VIEW A



PLAN VIEW B