



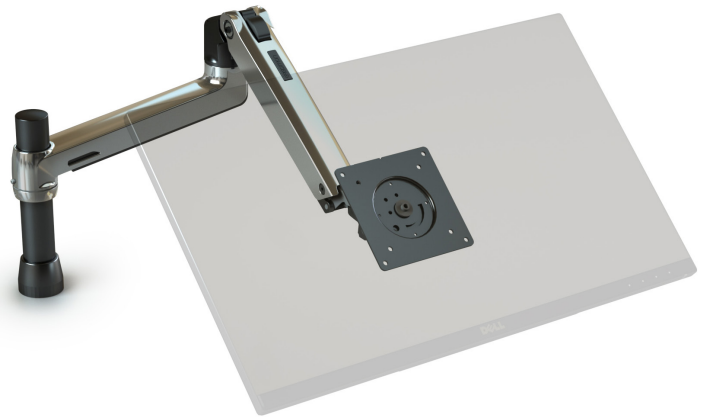
TIME BASE CONSOLES

FP-LX / FP-LX13 Touchscreen Monitor Arm

Place your screen where you need it with premium ease-of-use display adjustment, and then reclaim a space full of opportunities by folding the arm and pushing it aside during a much-needed screen break.

The arm can fold to fit in less than 4.5" of space and extend out over 24".

Cable management allows for wires to clamp onto the post and tuck under the arm segments.



FEATURES

Accommodates 17-34" screens 7-25 lbs (3.2-11.3 kg)

Rotates 360 degrees at 3 joints

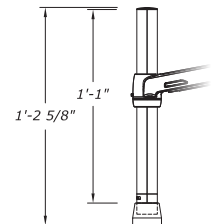
Monitor tilt of 75 degrees

Adjustable tension at all joints - ideal for touchscreen applications

VESA plate with 75 & 100mm hole patterns included, other options available

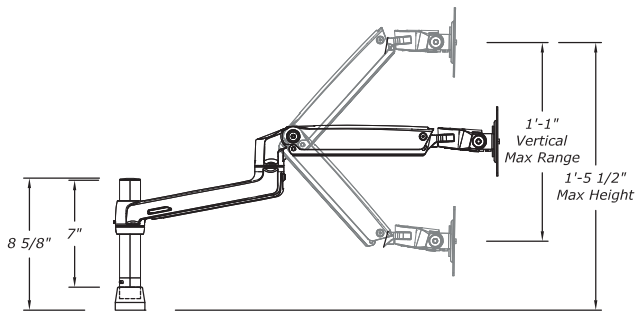
Trac mount and split screw kit included

Optional clamp mount for surfaces up to 2" thick and vertical mount are sold separately

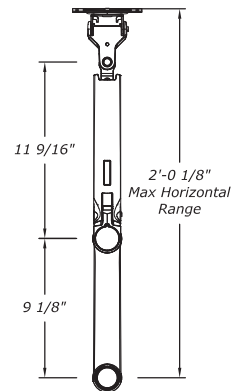


*Extended 13" pole version [FP-LX13] available.

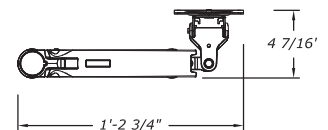
DIMENSIONS



ELEVATION



PLAN VIEW EXTENDED



PLAN VIEW FOLDED