



TIME BASE CONSOLES

FP-TSS-965DV Reconfigurable Articulating Arm

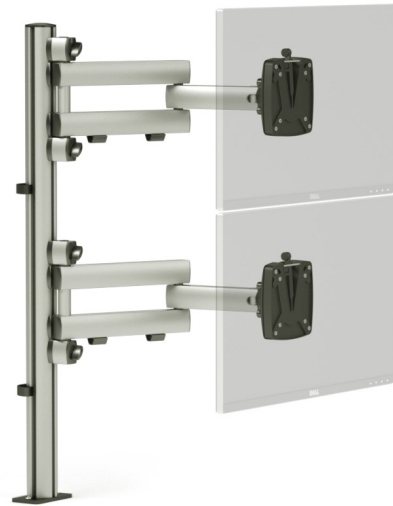
Reconfigurable dual screen post mount with articulating arms that adjust vertically

The arms can fold to fit in 4" of space and extend out over 20"

Cable management allows for wires to clamp onto the post

This product is designed for modularity and can accommodate multiple configurations.

Easy mounting of the monitors by QuickRelease



FEATURES

Adjustable tension at all joints

QuickRelease VESA plates with 75/100 hole patterns included, other options available

Standard black adapter plate for extrusion mounting included, other options available

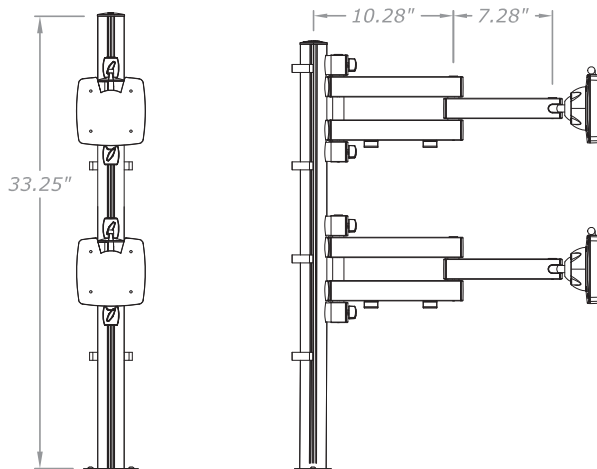
Standard 33.25" pole*

Arm holds up to 33 lbs. each*

** Pole extrusion available in custom lengths.*

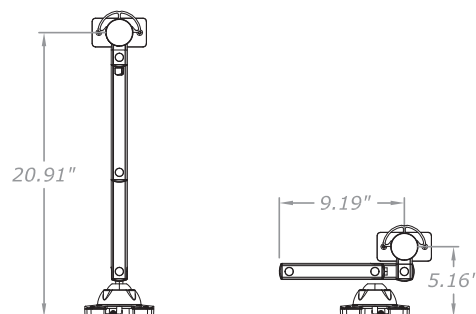
*** Recommended arm weight capacity varies by mounting method.*

DIMENSIONS



ELEVATION

SECTION



PLAN VIEW A

PLAN VIEW B