

FIXED HEIGHT CONSOLE

12RU ANGLED CART



170 RODEO DR EDGEWOOD, NY 11717
 PHONE: 631-293-4068 FAX: 631-293-4075

Client:
TBC CLEARANCE

Project:
ONYX FIXED HEIGHT CONSOLE & ANGLED CART

Drawing Title:
SHOP DRAWING

Drawn by: SC/DB

Date: 10/23/2021

Scale: DO NOT SCALE

Rack Rail Type: 10/32

Finishes:
 TURRETS: N/A MONITOR ARMS: T.B.D.
 END PANEL: N/A
 COUNTER TOP: T.B.D. EDGE: T.B.D.

DESIGNS, PLANS & SPECIFICATIONS ARE THE PROPERTY OF TBC CONSOLES AND MAY NOT BE SHARED, REPRODUCED, OR USED WITHOUT WRITTEN CONSENT.

- DO NOT SCALE DRAWINGS
- ELECTRONIC EQUIPMENT SHOWN IS FOR PRESENTATION PURPOSES ONLY

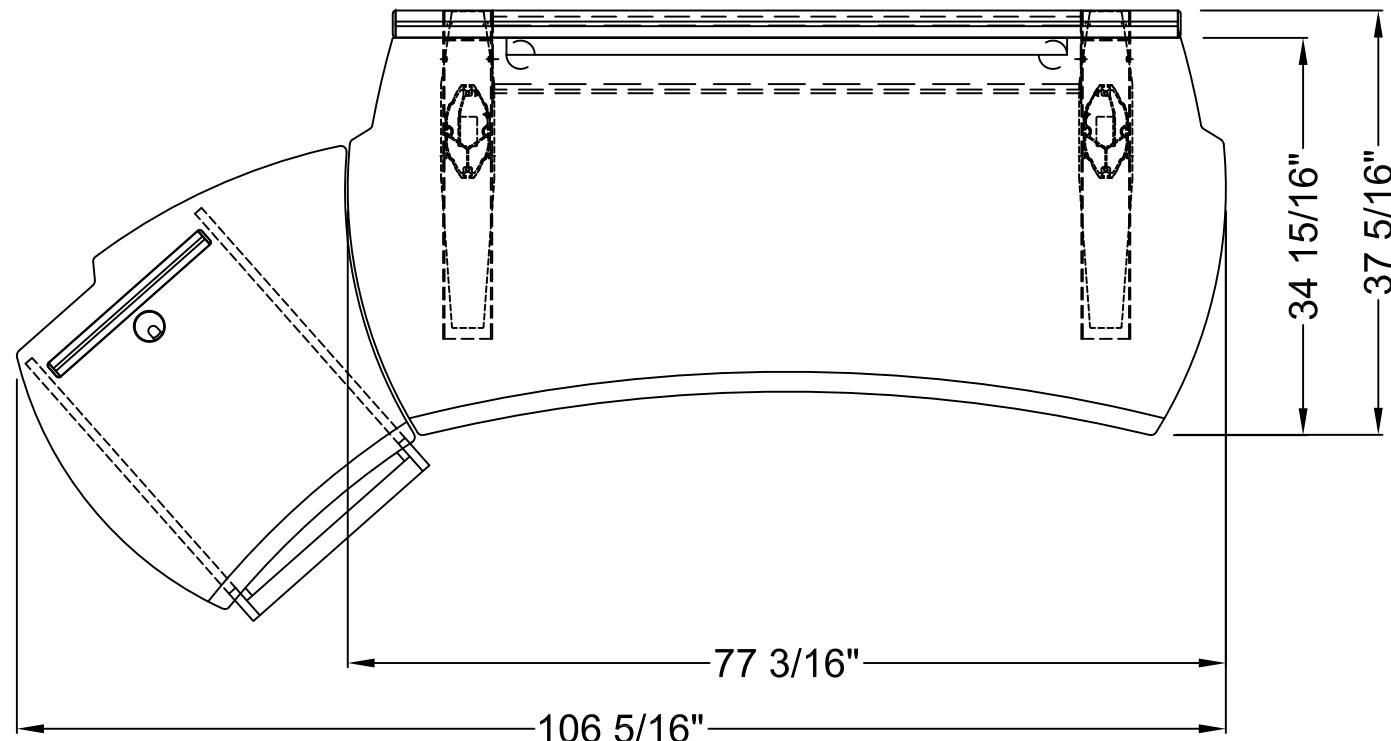
CLIENT SIGNATURE BELOW APPROVES SPECIFICATIONS INDICATED.

date:

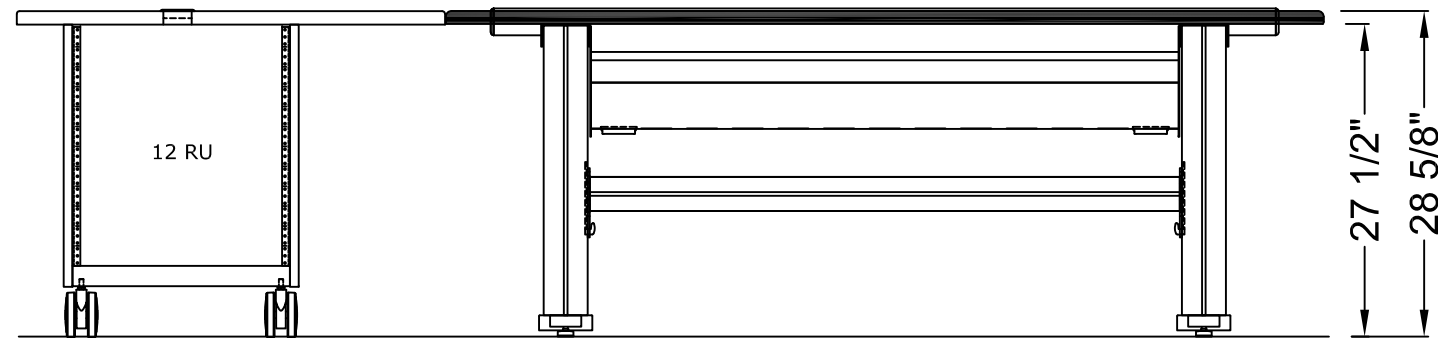
Revisions:	

Filename:
 ONYX FIXED HT CONSOLE

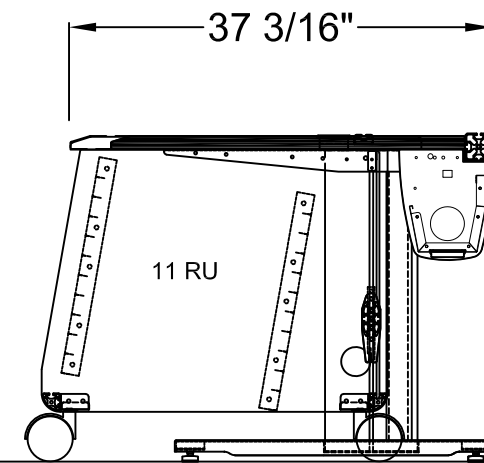
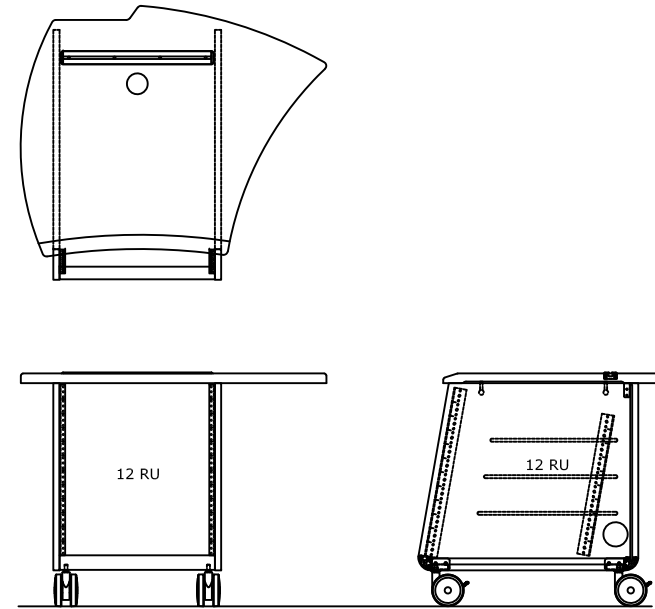
Drawing No:
DP-102



PLAN



FRONT ELEVATION



SECTION C

* DIMENSIONS AND DESIGN OF THE SPACE SHOWN ON THIS DRAWING HAVE NOT BEEN VERIFIED BY TBC CONSOLES. TBC SUGGESTS THAT ALL DIMENSIONS AND POTENTIAL OBSTRUCTIONS IN THE ROOM BE VERIFIED PRIOR TO APPROVAL OF THESE DRAWINGS.