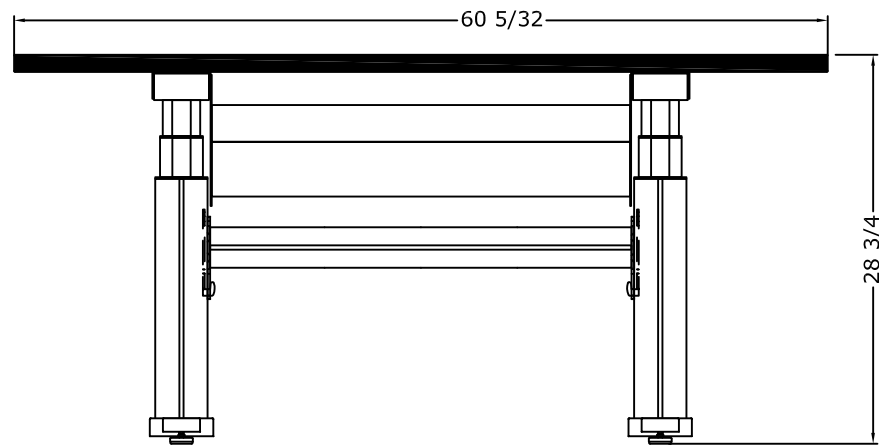
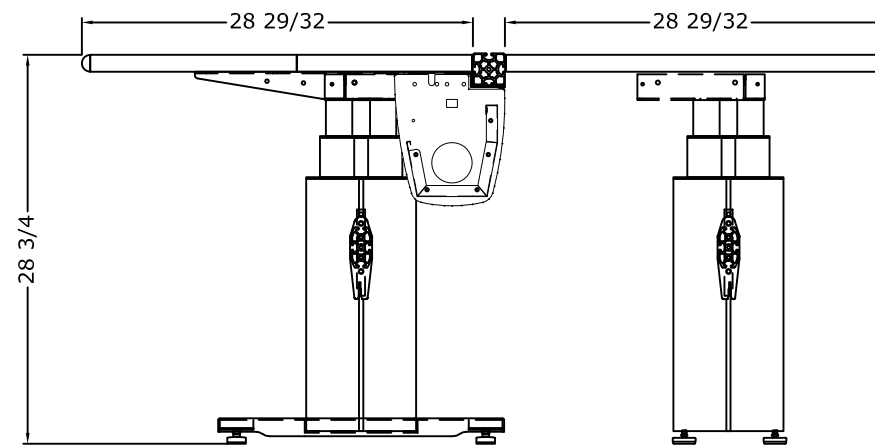


Plan View



Elevation



Section

SmartTrac PODCAST

1 UNITS REQ

QTY	PER UNIT	PART	SIZE/MODEL #	FINISH
2	2	Counter Top	T-Molding	ANTI-FINGER PRINT BLACK VELVET
1	1	Rear Trac	80/20 (59.906)	BLACK
3	3	Leg	Electric Leg	Silver
1	1	Support Bar	Small Football (31.152)	Silver
1	1	Core	1 1/2 Bay Mini Core	Silver

Accessories

QTY	PER UNIT	PART	SIZE/MODEL #	FINISH
2	2	LIGHT STRIP	LED	BLACK



Client:	NAB NYC 24	Project:	---	Dwg Title:	Clearance	Job #:	TBC-16299-24	Page:	
<small>This drawing remains the exclusive property of Time Base Consoles (TBC). The designs, plans, ideas and specs shown cannot be copied or shared with a third party in whole or in part without prior written permission of TBC. Electric equipment and colors portrayed are for representation purposes only. Do not scale.</small>						Acct Mgr:	SS	Date Issued:	9/30/2024
<small>170 RODEO DR. EDGEWOOD, NY 11717. TEL: 631-293-4068 EMAIL: INFO@TBCCONSOLES.COM WWW.TBCCONSOLES.COM ©2022 TIME BASE CORPORATION. ALL RIGHTS RESERVED</small>						Drawn By:	JUR	Rack Rail Type:	10/32