



# TIME BASE CONSOLES

## SM-TSS-964 Folding Speaker Arm

Adjustable speaker arm

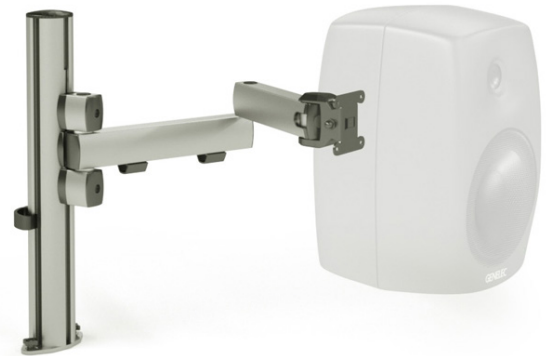
The arm can fold to fit in less than 5" of space and extend out over 17"

Cable management allows for wires to clamp onto the post and tuck under the arm segments

Holder has a swiveling range of 270°

Shown in standard silver

Cable management allows for wires to clamp onto the post



### FEATURES

Accommodates speakers up to 22 lbs. (10 kg)

Mount tilts up to 90° up and down

Adjustable tension at all joints—ideal for height adjustability

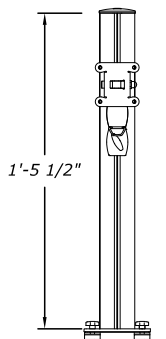
Standard with 17.5" high TSS pole\*

VESA attachment for 75 & 100mm plate, custom, or shelf-mount are also available

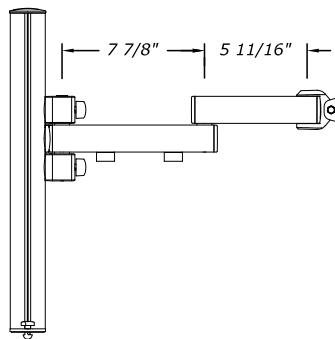


*\*Pole extrusion also available in 21.5, 33" and custom lengths.*

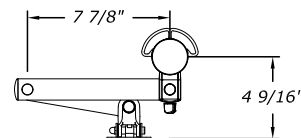
### DIMENSIONS



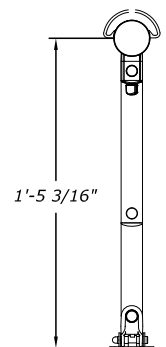
ELEVATION



SECTION



PLAN VIEW A



PLAN VIEW B