



CONSOLES

170 RODEO DRIVE EDGEWOOD, NY 11717
PHONE: 631-293-4068 FAX: 631-293-4075

Client:

TBC
CLEARANCE

Project:

ST2-WS-NC-L

Drawing Title:

SHOP
DRAWING

Design by: TBC

Drawn by: RG

Date: 2/18/21

Scale: No to scale

Rack Rail Type: NA

Plan Spec: SEE NOTES

Plan Spec:

ALL DESIGNS, PLANS, IDEAS & SPECIFICATIONS INDICATED IN THIS DRAWING REMAIN THE ENTIRE PROPERTY OF TBC CONSOLES INC. AND MAY NOT BE REPRODUCED OR USED IN ANY MANNER WITHOUT WRITTEN CONSENT.

CLIENT SIGNATURE APPROVES ALL SPECIFICATIONS INDICATED IN THIS DRAWING.

client: _____ date: _____

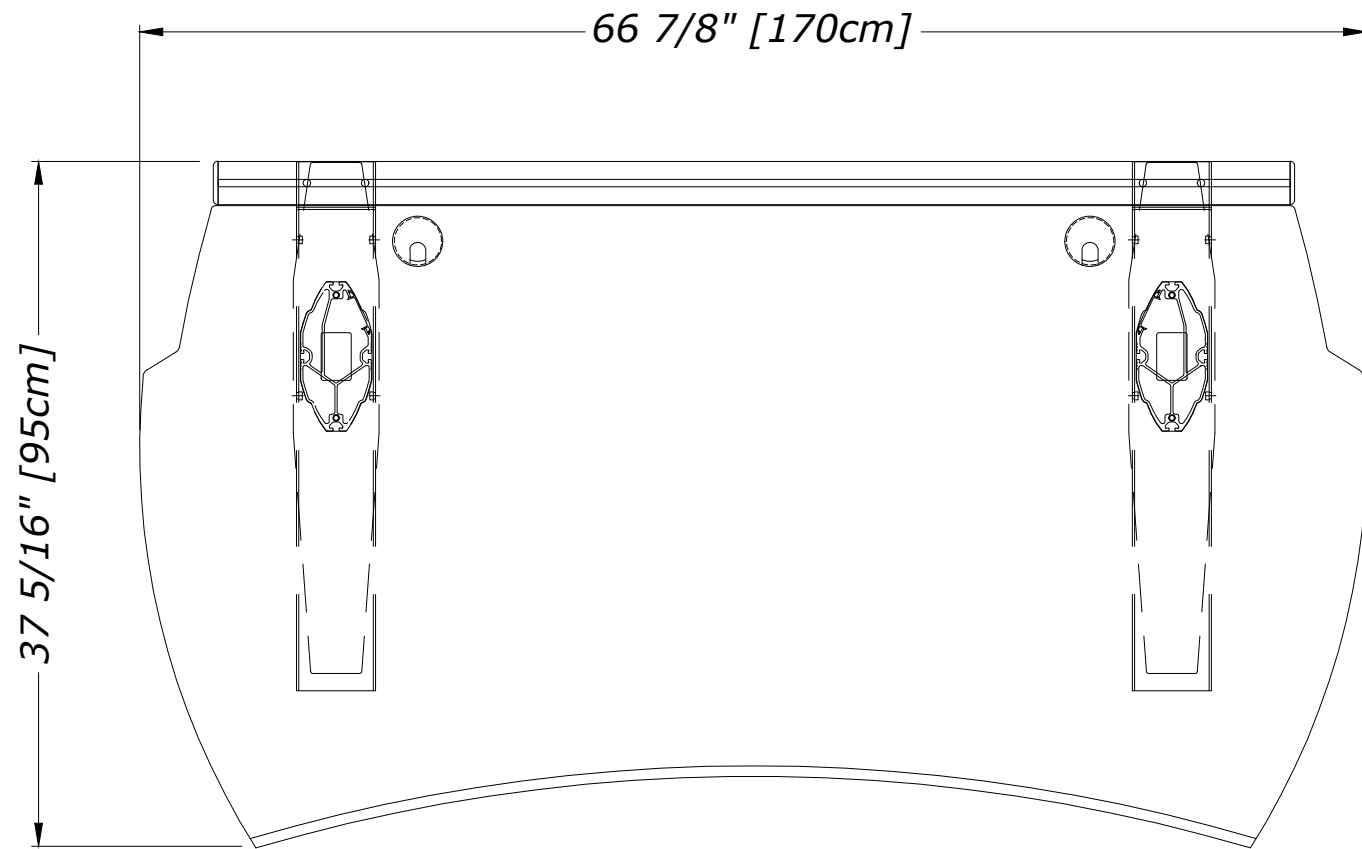
- DESIGN PROPOSAL DRAWINGS
- CONSTRUCTION DRAWINGS

Revisions:

Filename: ST2-WS-NC-L-CLEARANCE

Drawing No:

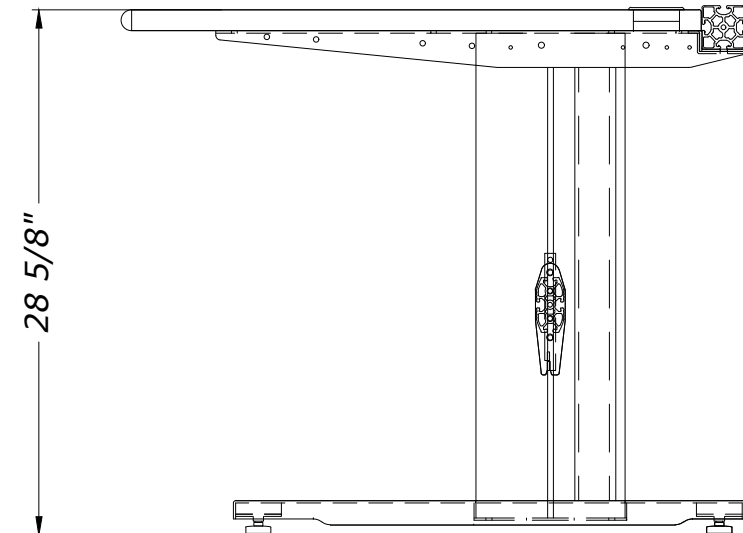
DP-101



PLAN VIEW



FRONT ELEVATION



SECTION A