



CONSOLES

170 RODEO DR EDGEWOOD, NY 11717
PHONE: 631-293-4068 FAX: 631-293-4075

Client:

**TBC
CLEARANCE**

Project:

TRACWALL

Drawing Title:

**W/ BASE CABINETS
& (4) AM-LVMS
SCREEN MOUNTS**

Drawn by:

SC

Date:

3/20/2023

Scale:

1/2" = 1' - 0"

Rack Rail Type:

10/32

Finishes:

TURRETS:

N/A

MONITOR ARMS:

T.B.D.

END PANEL:

N/A

COUNTER TOP:

T.B.D.

EDGE:

T.B.D.

DESIGNS, PLANS & SPECIFICATIONS ARE THE PROPERTY OF TBC CONSOLES AND MAY NOT BE SHARED, REPRODUCED, OR USED WITHOUT WRITTEN CONSENT.

- DO NOT SCALE DRAWINGS
- ELECTRONIC EQUIPMENT SHOWN IS FOR PRESENTATION PURPOSES ONLY

CLIENT SIGNATURE BELOW APPROVES SPECIFICATIONS INDICATED.

date:

Revisions:

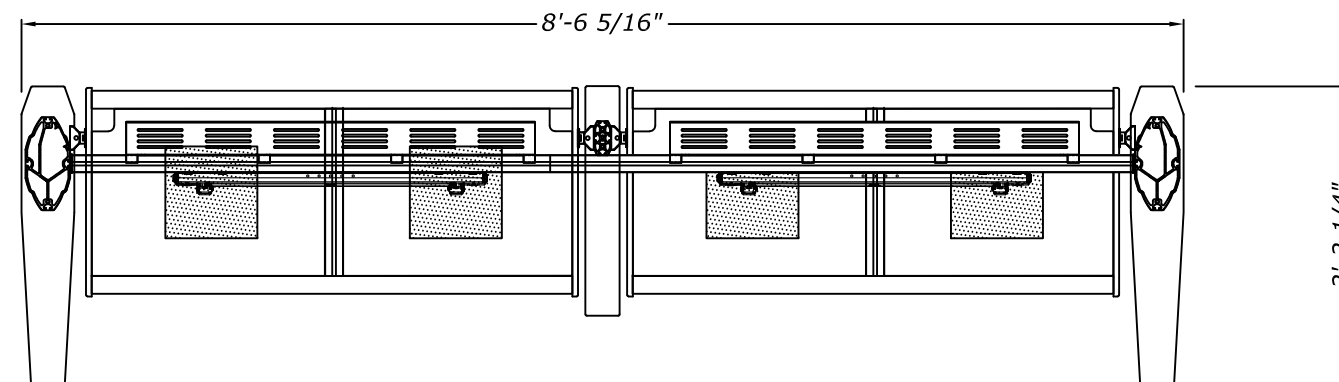
Rev	Description	Date

Filename:

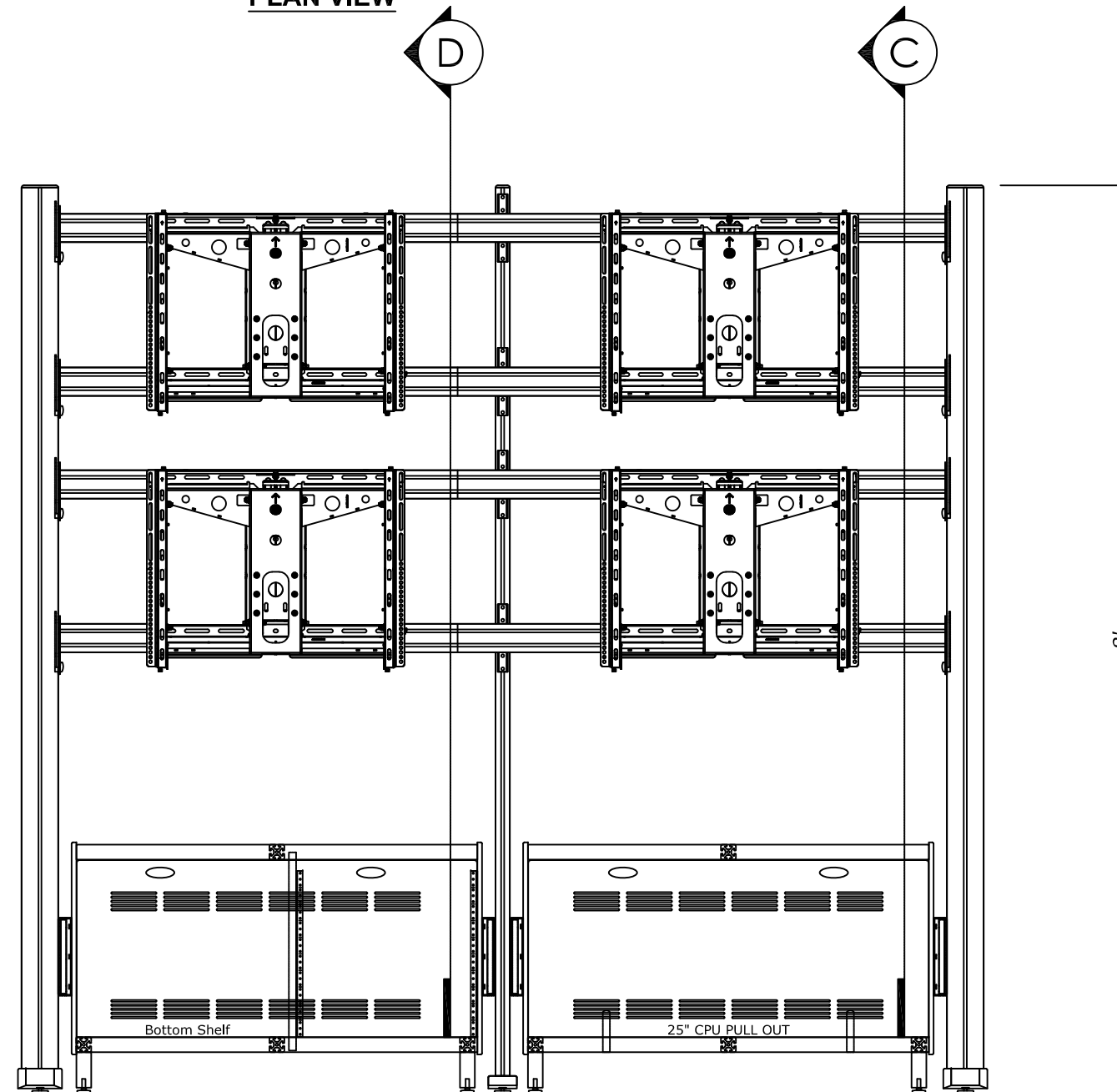
TW CLEARANCE

Drawing No:

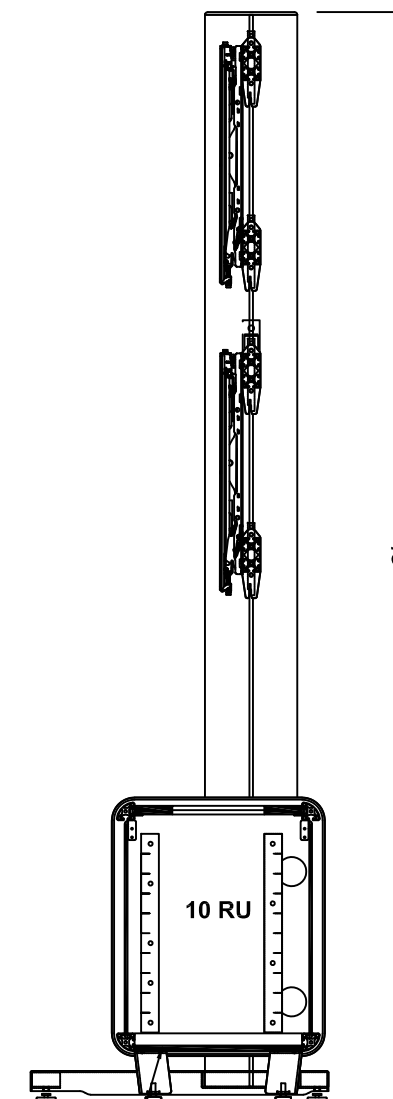
DP-102



PLAN VIEW



FRONT ELEVATION



**CABINET BOTTOMS
FOR STORAGE**

SECTION D

* DIMENSIONS AND DESIGN OF THE SPACE SHOWN ON THIS DRAWING HAVE NOT BEEN VERIFIED BY TBC CONSOLES. TBC SUGGESTS THAT ALL DIMENSIONS AND POTENTIAL OBSTRUCTIONS IN THE ROOM BE VERIFIED PRIOR TO APPROVAL OF THESE DRAWINGS.