



## Product Description

With superior aluminum construction Yellowtec's mic arms are the best in the industry.

XS, M and XL sizes

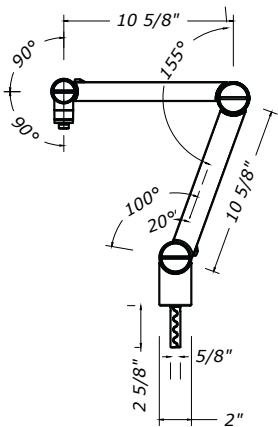
Sturdy aluminum tube construction

Supports microphones weighing up to 2kg (4.5lbs)

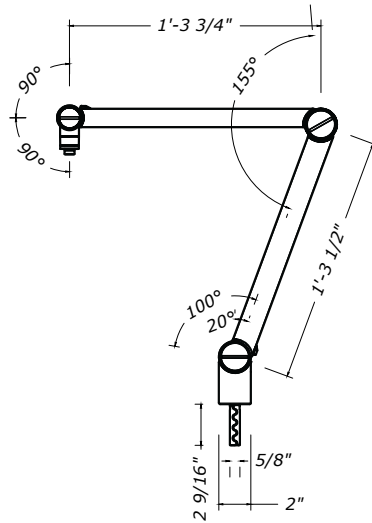
Wiring concealed by tubes and joints

Various mounting possibilities

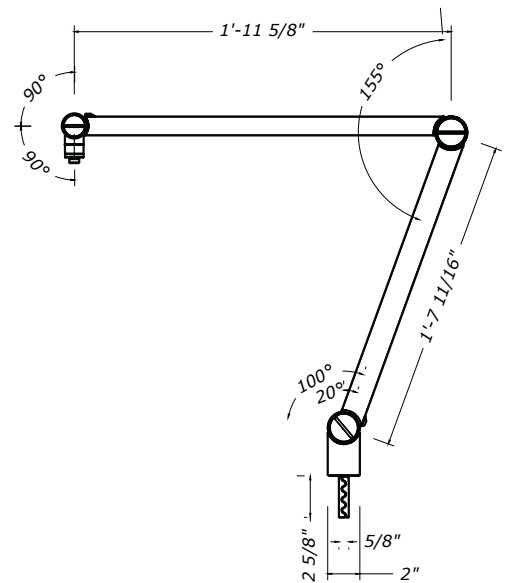
Optional "On-Air" indicator light available on M & XL arms



XS SECTION



M SECTION



XL SECTION

Dimensions	Extra Small	Medium	Extra Large
<b>Max Length</b>	21" (53.5cm)	31" (78.7cm)	42.3" (107.5cm)
<b>Weight</b>	1.98 lbs (0.9kg)	2.31 lbs (1.05kg)	3.20 lbs (1.45kg)
<b>Max Mic Weight</b>	4.41 lbs. (2kg)	4.41 lbs. (2kg)	4.41 lbs. (2kg)

Optional interface cups can attach the microphone arm to TBC's Trac system which will raise the arm 2 or 6 inches. Desk mounting clamp, pole mount clamp(tree), or through desk mount also available..

To view a wider selection of available products, please visit our [website](http://www.tbconsoles.com) or contact us at [sales@tbconsoles.com](mailto:sales@tbconsoles.com).