



SM-C – Mounted Speaker Platform Arm

PRODUCT DESCRIPTION:

The SM-C is an adjustable desktop or Trac mountable speaker arm with a 360° rotatable platform base.

Arm can fit in about 2" of space and extend out over 16".

Cables can be tucked under the forearm and main arm to keep the desktop free of cables.

FEATURES:

Low profile arm accommodates up to 20 lbs.

Arm rotates 360° at 3 joints.

Adjustable tension at all joints.

Standard with 14" pole, 28" and 36" also available.

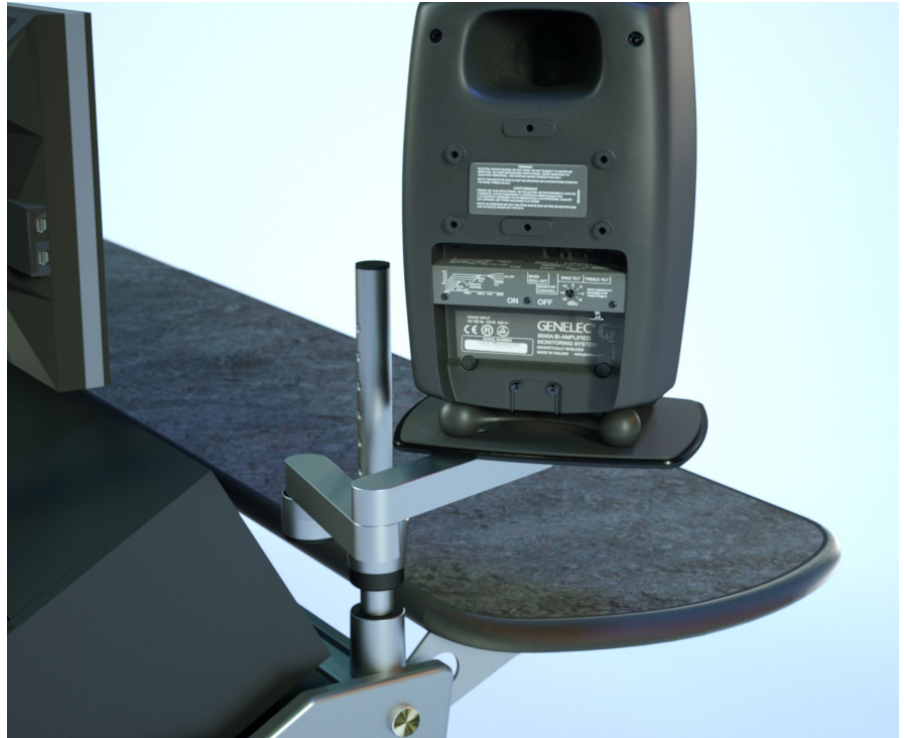
Phenolic platform is customizable based on speaker size.

TYPICAL APPLICATIONS:

SmartTrac: Front Trac or desktop mounted

IntelliTrac: Front or rear trac mounted

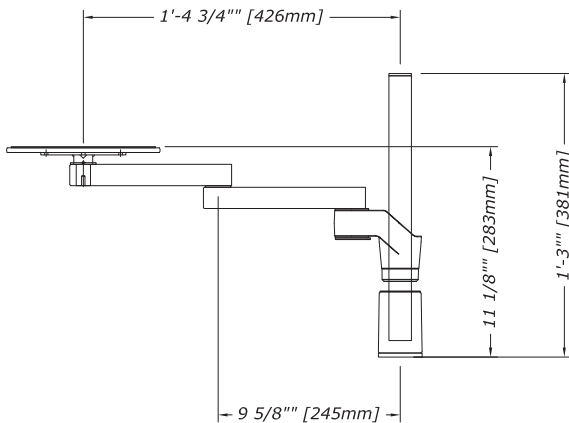
ControlTrac: Rear trac mounted



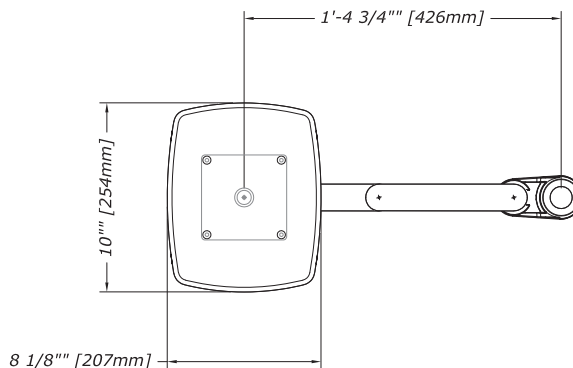
Note: SM-C can also be through mounted on any desktop up to 2" thick



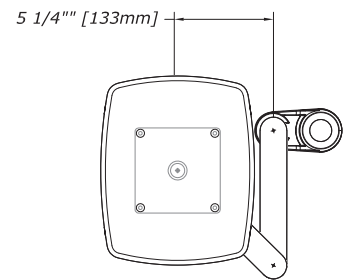
SM-C can directly mount to speakers with VESA mounting interface



SIDE VIEW



PLAN VIEW - EXTENDED



PLAN VIEW - FOLDED