



FP-3500 Floating Short Reach Monitor Arm

PRODUCT DESCRIPTION:

The arm can fold to fit in less than 3.5" of space and extend out 19.75".

Cable management allows for wires to clamp onto the post and tuck under the arm segments.

FEATURES:

Accommodates 17-24" screens

Rotates 360 degrees at 3 joints

Monitor tilt of over 200 degrees

Adjustable tension at all joints - ideal for touch screen applications

VESA plate with 75 & 100mm hole patterns included, other options available

FP-UNICUP mount and split screw kit included

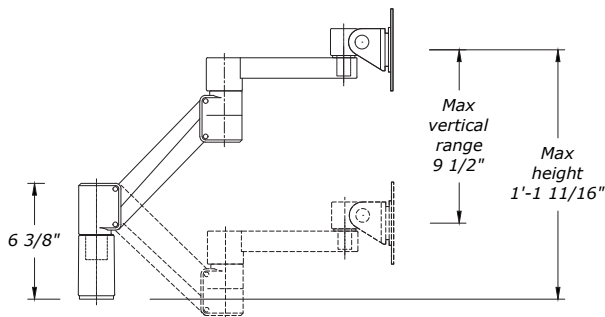
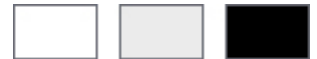
Optional clamp mount for surfaces up to 2" thick and vertical mount are sold separately



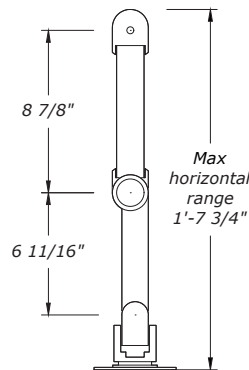
MODELS:

The 3500 arm supports a wide range of monitors. Your salesperson will provide the correct model based on the weight of your monitor, see the chart below:

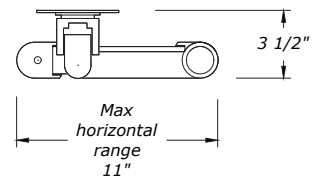
3500-250	2 - 12 lb monitor
3500-350	5 - 15 lb monitor
3500-450	10 - 23 lb monitor
3500-600	13 - 28 lb monitor
3500-800	14 - 38 lb monitor



ELEVATION



PLAN VIEW EXTENDED



PLAN VIEW FOLDED